



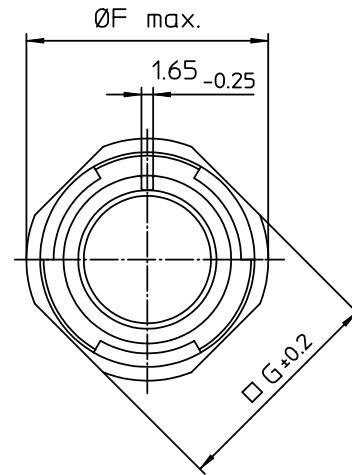
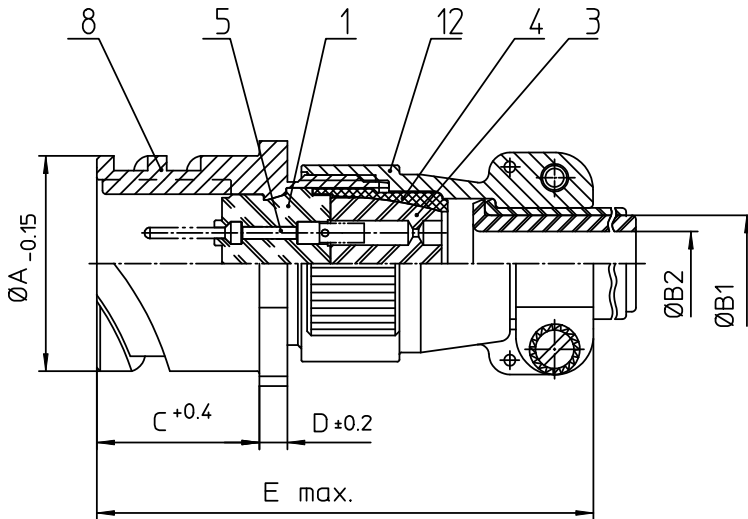
## **Excellent Integrated System Limited**

Stocking Distributor

Click to view price, real time Inventory, Delivery & Lifecycle Information:

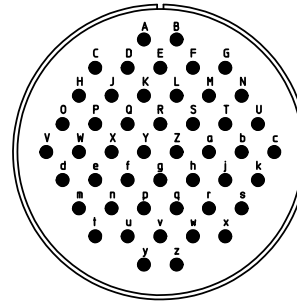
[ITT Cannon, LLC](#)  
[CA3101E36-10PZBF80A176](#)

For any questions, you can email us directly:  
[sales@integrated-circuit.com](mailto:sales@integrated-circuit.com)





| NO. | MASSE / DIMENSION |
|-----|-------------------|
| A   | 59.6              |
| B1  | 31.8              |
| B2  | 26.8              |
| C   | 24.05             |
| D   | 4                 |
| E   | 78                |
| F   | 63.6              |
| G   | 60.6              |

| NO. | BESCHREIBUNG / DESCRIPTION          |
|-----|-------------------------------------|
| 1   | ISOLIERKÖRPER STIFT / INSULATOR PIN |
| 3   | DICHTKÖRPER / GROMMET               |
| 4   | ENDRING / ENDRING                   |
| 5   | KONTAKTSTIFT/ CONTACT PIN           |
| 8   | DOSENGEHÄUSE / SHELL                |
| 12  | ENDGEHÄUSE / ENDBELL                |



Note: Due to an automatic nomenclature system, numbers generated may not be sequential.  
 Specification and Dimensions subject to change  
 Drawings illustrate normal insulator positioning

| Material Specification: |   |
|-------------------------|---|
| Shell Material:         | Aluminium alloy                               |
| Shell Plating:          | Olive drab chromate over cadmium (conductive) |
| Insulator Material:     | CR-Elastomere                                 |
| Contact Material:       | Copper alloy                                  |
| Contact Plating:        | Gold 0,5 µm                                   |

| all dimensions are in mm<br>Dimensions without tolerance indications are general tolerances in acc. with DIN7168m   |   | drawing for<br>CUSTOMER   |
|---|---|---|
| <br><b>ITT</b><br>Engineered for life<br><small>ITT CANNON GmbH<br/>           D-73584 Winnenden/Germany</small> | description   | CA3101E36-10PZB-F80-A176  |
|   |   | Cable connecting plug   |
|   |   | Endbell with clamp and bushing<br>AWG Crimp / Pin / Layout: 36-10 |
| <small>© All rights reserved. Reproduction or use in third in any form<br/>           whatever is only permitted with written authorization of ITT Cannon</small>                                     |  | page 1/1<br>revision 786 4. Jul 16                                |