



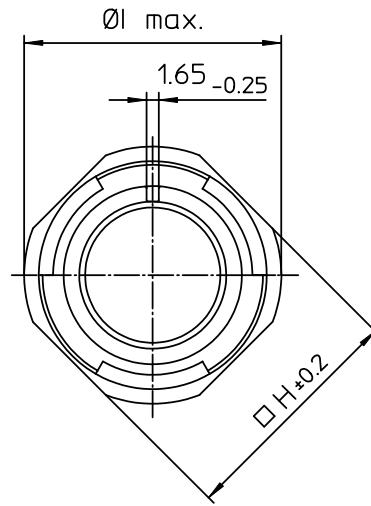
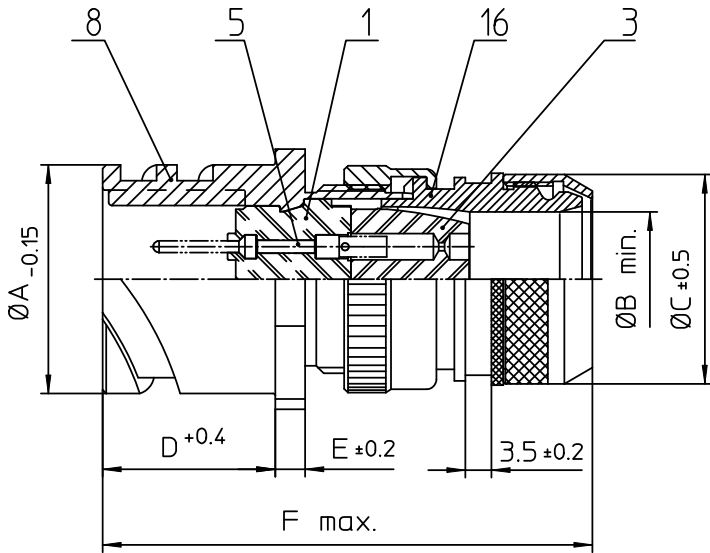
Excellent Integrated System Limited

Stocking Distributor

Click to view price, real time Inventory, Delivery & Lifecycle Information:

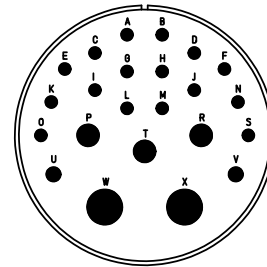
[ITT Cannon, LLC](#)
[CA3101E32-6PXB13](#)

For any questions, you can email us directly:
sales@integrated-circuit.com





NO.	MASSE / DIMENSION
A	53.4
B	33.3
C	48
D	24.05
E	4
F	75
H	54
I	57.1

NO.	BESCHREIBUNG / DESCRIPTION
1	ISOLIERKÖRPER STIFT / INSULATOR PIN
3	DICHTKÖRPER / GROMMET
5	KONTAKTSTIFT / CONTACT PIN
8	DOSENGEHÄUSE / SHELL
16	ENDGEHÄUSE GESCHIRMT / ENDBELL SHIELDED



Note: Due to an automatic nomenclature system, numbers generated may not be sequential.
Specification and Dimensions subject to change
Drawings illustrate normal insulator positioning

Material Specification:	
Shell Material:	Aluminium alloy
Shell Plating:	Olive drab chromate over cadmium (conductive)
Insulator Material:	CR-Elastomere
Contact Material:	Copper alloy
Contact Plating:	Hard silver

all dimensions are in mm Dimensions without tolerance indications are general tolerances in acc. with DIN7168m		drawing for CUSTOMER
 ITT Engineered for life ITT CANNON GERMANY D-71334 Winnenden/Germany	description	CA3101E32-6PXB-13
		Cable connecting plug shielded
		Shielded with endbell for shielded braids & heat shrinkable boots Solder Cup / Pin / Layout: 32-6
© All rights reserved. Reproduction or issue to third in any form whatever is only permitted with written authorization of ITT Cannon	 page 1/1	revision 786 4. Jul 16