



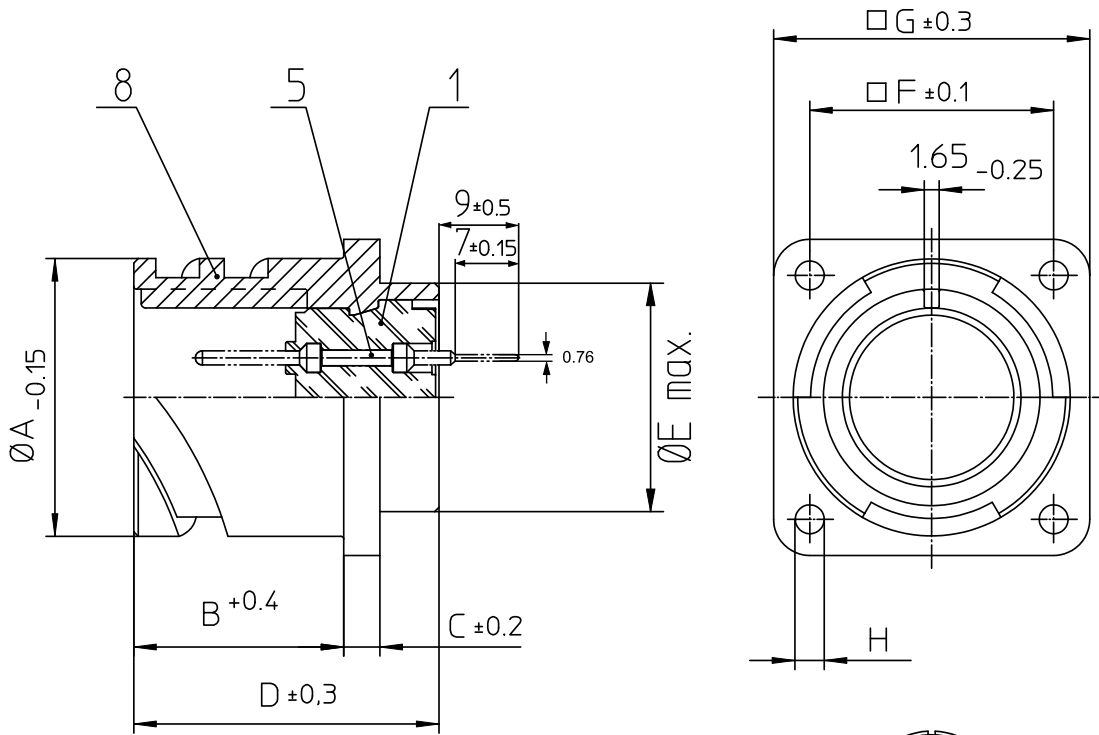
Excellent Integrated System Limited

Stocking Distributor

Click to view price, real time Inventory, Delivery & Lifecycle Information:

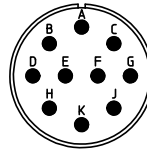
[ITT Cannon, LLC](#)
[CA02L18-19PBA232](#)

For any questions, you can email us directly:
sales@integrated-circuit.com




NO.	MASSE / DIMENSION
A	30.8
B	19
C	4
D	33.8
E	25.6
F	27
G	35
H	3.2

NO.	BESCHREIBUNG / DESCRIPTION
1	ISOLIERKÖRPER STIFT / INSULATOR PIN
5	KONTAKTSTIFT / CONTACT PIN
8	DOSENGEHÄUSE / SHELL



Note: Due to an automatic nomenclature system, numbers generated may not be sequential.
Specification and Dimensions subject to change
Drawings illustrate normal insulator positioning

Material Specification:	
Shell Material:	Aluminium alloy
Shell Plating:	Zinc cobalt, black (conductive)
Insulator Material:	CR-Elastomere
Contact Material:	Copper alloy
Contact Plating:	Hard silver

all dimensions are in mm Dimensions without tolerance indications are general tolerances in acc. with DIN7168m		drawing for CUSTOMER				
 ITT <i>Engineered for life</i> <small>ITT CANNON GERMANY 01-31284 EberfeldGermany</small>	description CA02L18-19P-B-A232 Box mounting receptacle					
	PCB Ø 0,76 / Pin / Layout: 18-19					
<small>© All rights reserved. Reproduction or issue in third in any form without prior written authorization of ITT Cannon</small>		<table border="1"> <tr> <td>page</td> <td>revision</td> </tr> <tr> <td>1/2</td> <td>786 4, Jul 16</td> </tr> </table>	page	revision	1/2	786 4, Jul 16
page	revision					
1/2	786 4, Jul 16					