



## **Excellent Integrated System Limited**

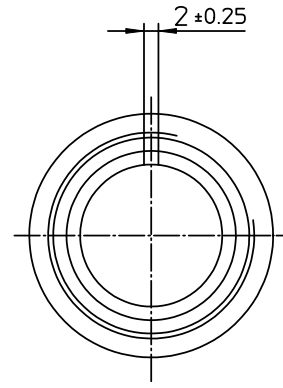
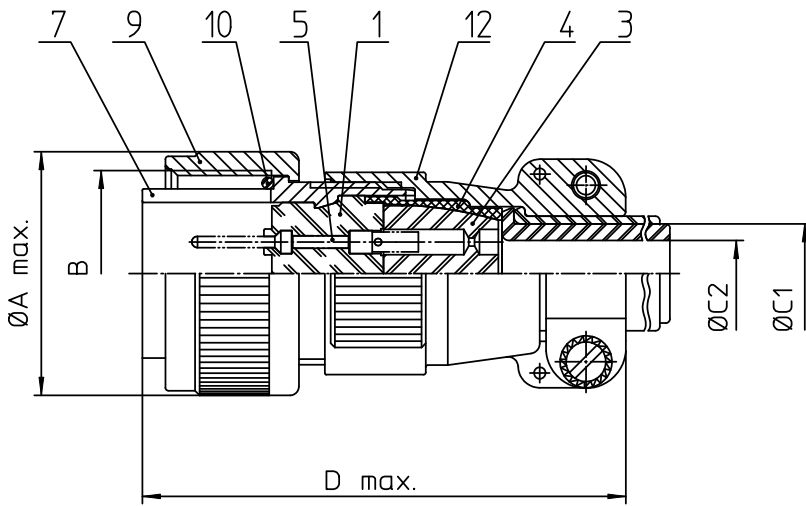
Stocking Distributor

Click to view price, real time Inventory, Delivery & Lifecycle Information:

[ITT Cannon, LLC](#)  
[CA06R20-27PA176](#)

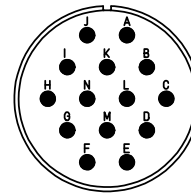
For any questions, you can email us directly:

[sales@integrated-circuit.com](mailto:sales@integrated-circuit.com)



NO.	MASSE / DIMENSION
A	37.4
B	1 1/4-18NEF-2B
C1	15.9
C2	-
D	68


NO.	BESCHREIBUNG / DESCRIPTION
1	ISOLIERKÖRPER STIFT / INSULATOR PIN
3	DICHTKÖRPER / GROMMET
4	ENDRING / ENDRING
5	KONTAKTSTIFT/ CONTACT PIN
7	ZYLINDERGHÄUSE / BARREL
9	ÜBERWURFMUTTER / COUPLING NUT
10	DICHTRING FRONT / FRONT SEALING RING
12	ENDGEHÄUSE / ENDBELL



Note: Due to an automatic nomenclature system, numbers generated may not be sequential.

Specification and Dimensions subject to change  
Drawings illustrate normal insulator positioning

Material Specification:
Shell Material: Aluminium alloy
Shell Plating: Olive drab chromate coating over cadmium plating
Insulator Material: Neoprene
Contact Material: Copper alloy
Contact Plating: Gold 0,5 & #956;

all dimensions are in mm		drawing for				
Dimensions without tolerance indications are general tolerances in acc. with DIN7168m		CUSTOMER				
 <b>ITT</b> <i>Engineered for life</i> <small>ITT CANNON GERMANY D-75364 Weinstadt-Germersheim</small>	description	CA06R20-27P-A176				
		Plug, straight				
		Endbell with cable clamp Solder Cup / Pin / Layout: 20-27				
<small>© All rights reserved. Reproduction or issue to third in any form whenever is only permitted with written authorization of ITT Cannon</small>		<table border="1"> <tr> <td>page</td> <td>revision</td> </tr> <tr> <td>1/1</td> <td>377.3. Jul 16</td> </tr> </table>	page	revision	1/1	377.3. Jul 16
page	revision					
1/1	377.3. Jul 16					