



Excellent Integrated System Limited

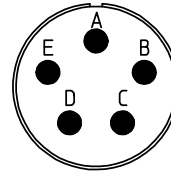
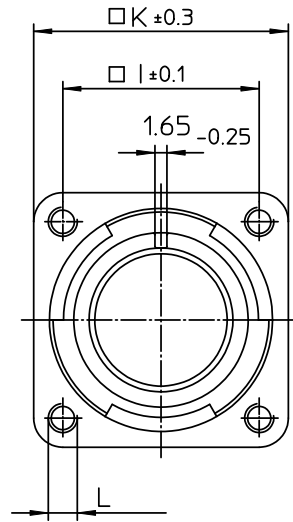
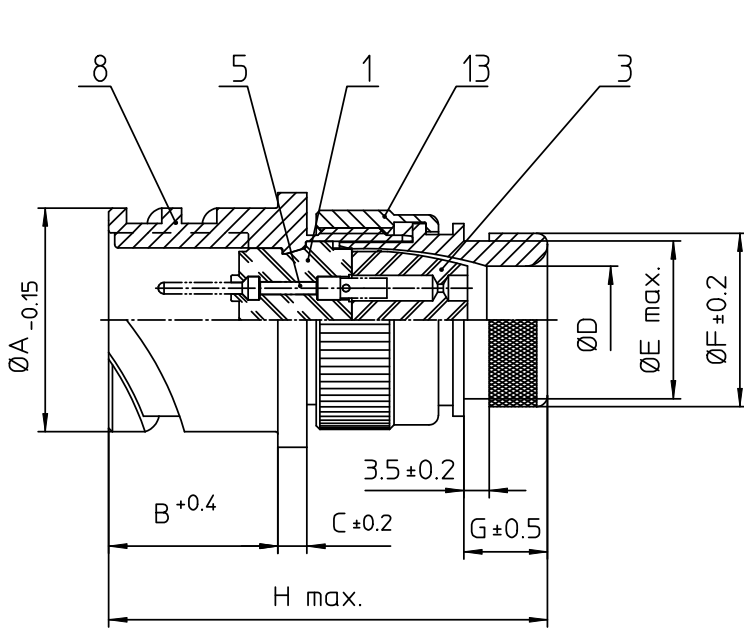
Stocking Distributor

Click to view price, real time Inventory, Delivery & Lifecycle Information:

[ITT Cannon, LLC](#)
[CA3100E14S-5PB02A176](#)

For any questions, you can email us directly:

sales@integrated-circuit.com



| NO. | MASSE / DIMENSION |
|-----|-------------------|
| A | 24.6 |
| B | 18.2 |
| C | 3.2 |
| D | 10.6 |
| E | 17 |
| F | 19.1 |
| G | 11.7 |
| H | 53 |
| I | 23 |
| K | 30 |
| L | M4 |

| NO. | BESCHREIBUNG / DESCRIPTION |
|-----|-------------------------------------|
| 1 | ISOLIERKÖRPER STIFT / INSULATOR PIN |
| 3 | DICHTKÖRPER / GROMMET |
| 5 | KONTAKTSTIFT / CONTACT PIN |
| 8 | DOSENGEHÄUSE / SHELL |
| 13 | ENDGEHÄUSE DN / ENDBELL HEATSHRINK |

Note: Due to an automatic nomenclature system, numbers generated may not be sequential.
 Specification and Dimensions subject to change
 Drawings illustrate normal insulator positioning

| Material Specification: |
|--|
| Shell Material: Aluminium alloy |
| Shell Plating: Olive drab chromate over cadmium (conductive) |
| Insulator Material: CR-Elastomere |
| Contact Material: Copper alloy |
| Contact Plating: Gold 0.5 µm |

all dimensions are in mm
 Dimensions without tolerance indications are general tolerances in acc. with DIN7168m
 drawing for CUSTOMER



description CA3100E14S-5P-B-02-A176
 Wall mounting receptacle
 Endbell for heatshrinkable boots
 AWG Crimp / Pin / Layout: 14S-5

© All rights reserved. Reproduction or issue to third in any form
 whatever is only permitted with written authorization of ITT Cannon
 page 1/1
 revision 786 4, Jul 16