



## **Excellent Integrated System Limited**

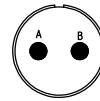
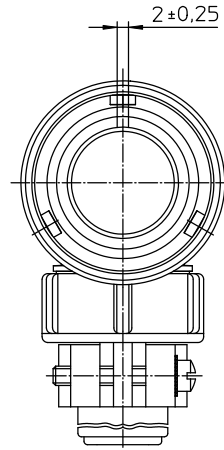
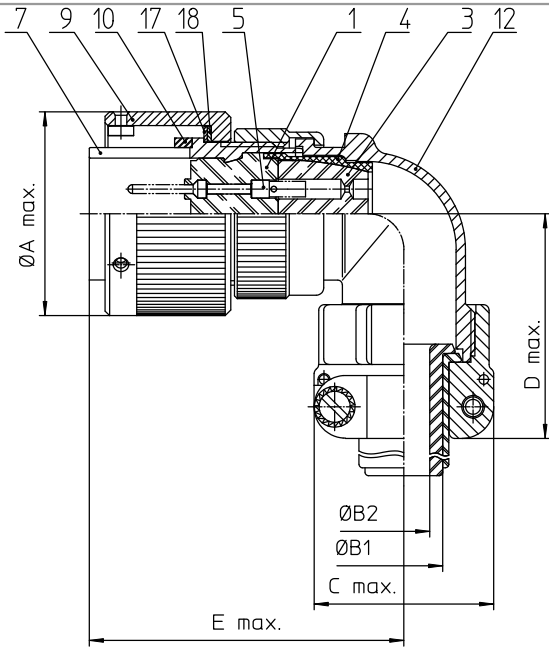
Stocking Distributor

Click to view price, real time Inventory, Delivery & Lifecycle Information:

[ITT Cannon, LLC](#)  
[CA08EW10SL-4PBF80](#)

For any questions, you can email us directly:

[sales@integrated-circuit.com](mailto:sales@integrated-circuit.com)



| NO. | MASSE / DIMENSION |
|-----|-------------------|
| A   | 22.8              |
| B1  | 6.6               |
| B2  | -                 |
| C   | 22.7              |
| D   | 42                |
| E   | 45                |

| NO. | BESCHREIBUNG / DESCRIPTION           |
|-----|--------------------------------------|
| 1   | ISOLIERKÖRPER STIFT / INSULATOR PIN  |
| 3   | DICHTKÖRPER / GROMMET                |
| 4   | ENDRING / ENDRING                    |
| 5   | KONTAKTSTIFT/ CONTACT PIN            |
| 7   | ZYLINDERGHÄUSE / BARREL              |
| 9   | ÜBERWURFMUTTER / COUPLING NUT        |
| 10  | DICHTRING FRONT / FRONT SEALING RING |
| 12  | ENDEGHÄUSE / ENDBELL                 |
| 17  | REIBRING / FRICTION RING             |
| 18  | WELLFEDER / WASHER                   |

Note: Due to an automatic nomenclature system, numbers generated may not be sequential.  
Specification and Dimensions subject to change.  
Drawings illustrate normal insulator positioning.

| Material Specification: |   |
|-------------------------|---|
| Shell Material:         | Aluminium alloy                               |
| Shell Plating:          | Olive drab chromate over cadmium (conductive) |
| Insulator Material:     | CR-Elastomere                                 |
| Contact Material:       | Copper alloy                                  |
| Contact Plating:        | Hard silver                                   |

**All dimensions are in mm**  
Dimensions without tolerance indications are general tolerances in acc. with DIN7550

drawing for  
**CUSTOMER**

|                                    |  |
|------------------------------------|--|
| <p>ITT<br/>Engineered for life</p> | <p>description: CA08EW10SL-4P-B-F80<br/>Plug, 90°<br/>with spring washer and 90° endbell<br/>AWG Crimp / Pin / Layout: 10SL-4</p>                    |
|                                    | <p>© All rights reserved. Reproduction or use in any form without the prior written permission of ITT Cannon.<br/>page 1/1 revision 188-4 Jul 18</p> |