



Excellent Integrated System Limited

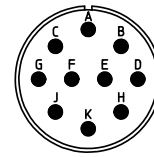
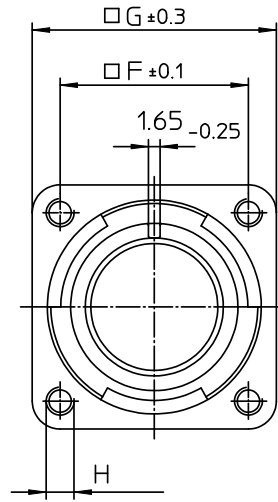
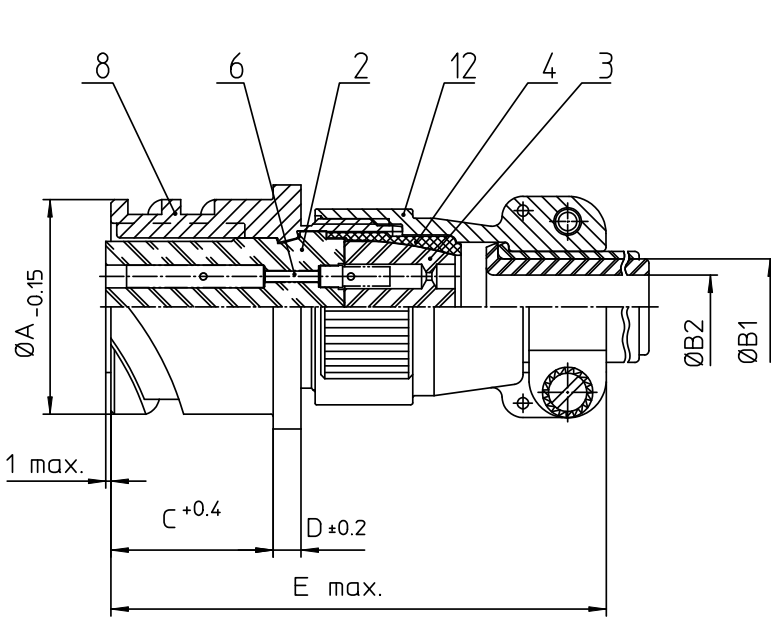
Stocking Distributor

Click to view price, real time Inventory, Delivery & Lifecycle Information:

[ITT Cannon, LLC](#)
[CA3100E18-19SBF80A176](#)

For any questions, you can email us directly:

sales@integrated-circuit.com



NO.	MASSE / DIMENSION
A	30.8
B1	14.3
B2	-
C	23.05
D	4
E	72
F	27
G	35
H	M4

NO.	BESCHREIBUNG / DESCRIPTION
2	ISOLIERKÖRPER BUCHSE / INSULATOR SOCKET
3	DICKTKÖRPER / GROMMET
4	ENDRING / ENDRING
6	KONTAKTBUCHSE / CONTACT SOCKET
8	DOSENGEHÄUSE / SHELL
12	ENDGEHÄUSE / ENDBELL

Note: Due to an automatic nomenclature system, numbers generated may not be sequential.
 Specification and Dimensions subject to change
 Drawings illustrate normal insulator positioning

Material Specification:	
Shell Material:	Aluminium alloy
Shell Plating:	Olive drab chromate over cadmium (conductive)
Insulator Material:	CR-Elastomere
Contact Material:	Copper alloy
Contact Plating:	Gold 0,5 µm

all dimensions are in mm
 Dimensions without tolerance indications are general tolerances in acc. with DIN7168m
 drawing for CUSTOMER

ITT
 Engineered for life
 ITT CANNON GmbH
 D-71284 Heimsheim/Germany

description CA3100E18-19S-B-F80-A176
 Wall mounting receptacle
 Endbell with clamp and bushing
 AWG Crimp / Socket / Layout: 18-19

© All rights reserved. Reproduction or issue to third in any form without written authorization of ITT Cannon

page 1/1 revision 786 4. Jul 16