



## **Excellent Integrated System Limited**

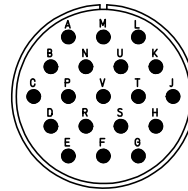
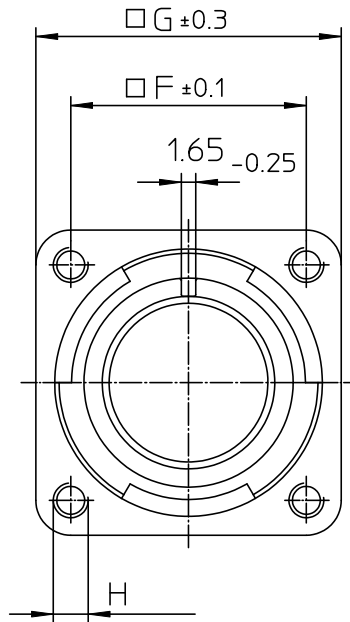
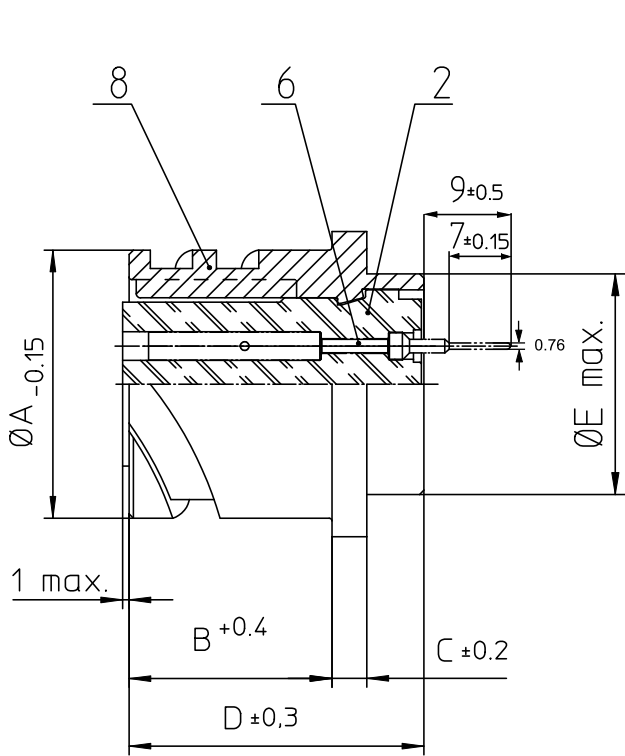
Stocking Distributor

Click to view price, real time Inventory, Delivery & Lifecycle Information:

[ITT Cannon, LLC](#)  
[CA20L22-14SWB](#)

For any questions, you can email us directly:


[sales@integrated-circuit.com](mailto:sales@integrated-circuit.com)



NO.	MASSE / DIMENSION
A	37.4
B	23.05
C	4
D	33.8
E	32.2
F	31.8
G	41
H	M4

NO.	BESCHREIBUNG / DESCRIPTION
2	ISOLIERKÖRPER BUCHSE / INSULATOR SOCKET
6	KONTAKTBUCHSE / CONTACT SOCKET
8	DOSENGEHÄUSE / SHELL

Note: Due to an automatic nomenclature system, numbers generated may not be sequential.
Specification and Dimensions subject to change Drawings illustrate normal insulator positioning
<b>Material Specification:</b>
Shell Material: Aluminium alloy
Shell Plating: Olive drab chromate over cadmium (conductive)
Insulator Material: CR-Elastomere
Contact Material: Copper alloy
Contact Plating: Hard silver

all dimensions are in mm Dimensions without tolerance indications are general tolerances in acc. with DIN7168m	drawing for <b>CUSTOMER</b>
 <b>ITT</b> <i>Engineered for life</i> <small>ITT CANNON GERMANY D-71224 Weinstadt-Göppingen</small>	description CA20L22-14SWB Box mounting receptacle PCB Ø 0,76 / Socket / Layout: 22-14
© All rights reserved. Reproduction or issue in any form without prior written authorization of ITT Cannon	page 1/2 revision 786 4. Jul 16