



Excellent Integrated System Limited

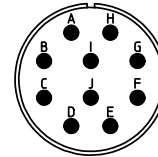
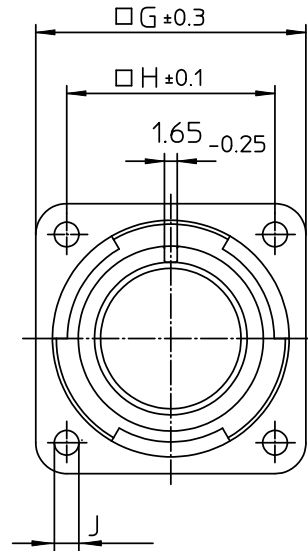
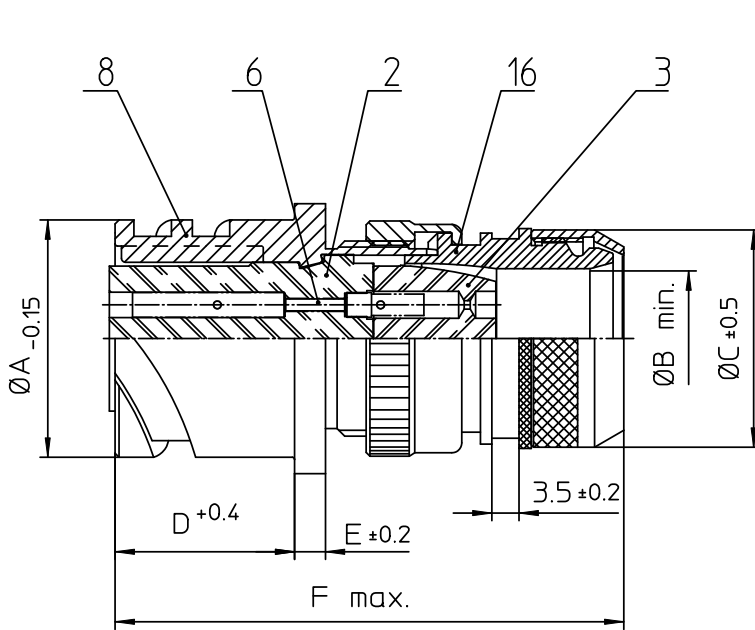
Stocking Distributor

Click to view price, real time Inventory, Delivery & Lifecycle Information:

[ITT Cannon, LLC](#)
[CA3100E18-1SWB05-14F0](#)

For any questions, you can email us directly:


sales@integrated-circuit.com



| NO. | MASSE / DIMENSION |
|-----|-------------------|
| A | 30.8 |
| B | 14.6 |
| C | 28 |
| D | 23.05 |
| E | 4 |
| F | 70 |
| G | 35 |
| H | 27 |
| J | 3.2 |

| NO. | BESCHREIBUNG / DESCRIPTION |
|-----|---|
| 2 | ISOLIERKÖRPER BUCHSE / INSULATOR SOCKET |
| 3 | DICHTKÖRPER / GROMMET |
| 6 | KONTAKTBUCHSE / CONTACT SOCKET |
| 8 | DOSENGEHÄUSE / SHELL |
| 16 | ENDGEHÄUSE GESCHIRMT / ENDBELL SHIELDED |

| |
|--|
| Note: Due to an automatic nomenclature system, numbers generated may not be sequential. |
| Specification and Dimensions subject to change Drawings illustrate normal insulator positioning |
| Material Specification: |
| Shell Material: Aluminium alloy |
| Shell Plating: Olive drab chromate over cadmium (conductive) |
| Insulator Material: CR-Elastomere |
| Contact Material: Copper alloy |
| Contact Plating: Hard silver |

| | |
|---|--|
| all dimensions are in mm Dimensions without tolerance indications are general tolerances in acc. with DIN7168m | drawing for CUSTOMER |
|  ITT <i>Engineered for life</i> <small>ITT CANADON GmbH D-71334 Wernsdorf, Germany</small> | description CA3100E18-1SWB-05-14-F0 Box mounting receptacle (rear mount, through holes) shielded Shielded with endbell for shielded braids & heat shrinkable boots Metric Crimp / Socket / Layout: 18-1 |
| <small>© All rights reserved. Reproduction or issue in third in any form whenever is only permitted with written authorization of ITT Cannon.</small> | page 1/1 revision 786 4. Jul 16 |