



## **Excellent Integrated System Limited**

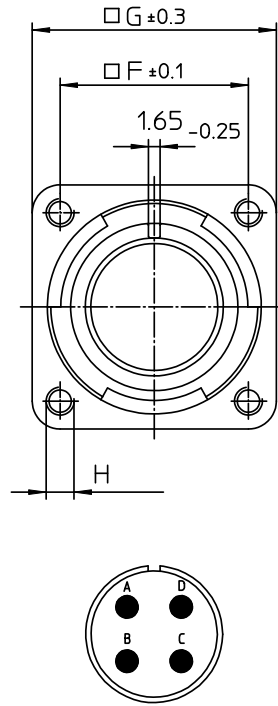
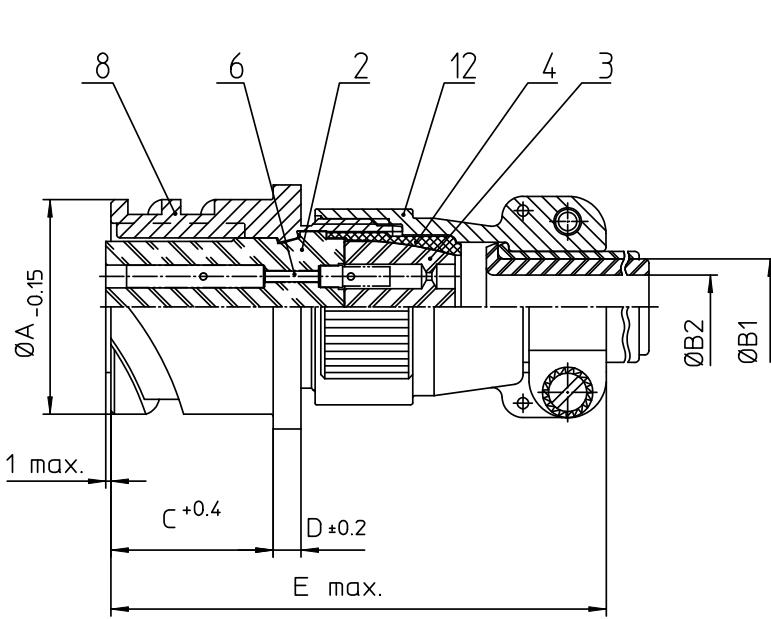
Stocking Distributor

Click to view price, real time Inventory, Delivery & Lifecycle Information:

[ITT Cannon, LLC](#)  
[CA3100E12SA10SBF80A176](#)

For any questions, you can email us directly:

[sales@integrated-circuit.com](mailto:sales@integrated-circuit.com)



NO.	MASSE / DIMENSION
A	21.4
B1	6.6
B2	-
C	18.2
D	3.2
E	57
F	20.6
G	28
H	M4

NO.	BESCHREIBUNG / DESCRIPTION
2	ISOLIERKÖRPER BUCHSE / INSULATOR SOCKET
3	DICHTKÖRPER / GROMMET
4	ENDRING / ENDRING
6	KONTAKTBUCHSE / CONTACT SOCKET
8	DOSENGEHÄUSE / SHELL
12	ENDGEHÄUSE / ENDBELL

Note: Due to an automatic nomenclature system, numbers generated may not be sequential. Specification and Dimensions subject to change Drawings illustrate normal insulator positioning	
Material Specification:	
Shell Material:	Aluminium alloy
Shell Plating:	Olive drab chromate over cadmium (conductive)
Insulator Material:	CR-Elastomere
Contact Material:	Copper alloy
Contact Plating:	Gold 0,5 µm

**all dimensions are in mm**  
 Dimensions without tolerance indications are general tolerances in acc. with DIN7168m

drawing for: **CUSTOMER**

description: **CA3100E12SA10S-B-F80-A176**  
 Wall mounting receptacle  
 Endbell with clamp and bushing  
 AWG Crimp / Socket / Layout: 12SA10

**ITT**  
 Engineered for life  
 ITT CANNON CORP.  
 D-72341 Heinstadt/Gernsbach

© All rights reserved. Reproduction or issue to third in any form without written authorization of ITT Cannon

page 1/1 revision 786 4. Jul 16