



Excellent Integrated System Limited

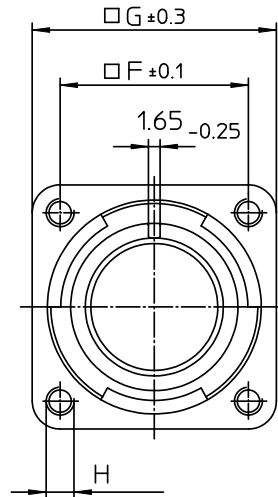
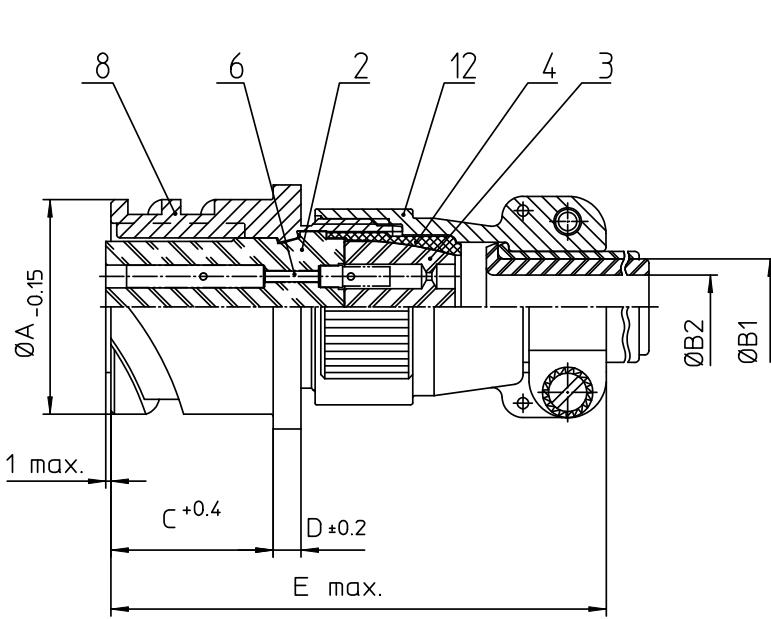
Stocking Distributor

Click to view price, real time Inventory, Delivery & Lifecycle Information:

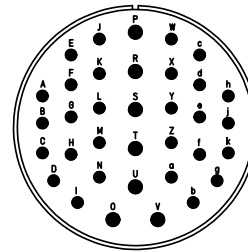
[ITT Cannon, LLC](#)
[CA3100E32-7SBF80A176](#)

For any questions, you can email us directly:

sales@integrated-circuit.com




NO.	MASSE / DIMENSION
A	53.4
B1	26.8
B2	21.5
C	24.05
D	4
E	78
F	44.5
G	57
H	M5



NO.	BESCHREIBUNG / DESCRIPTION
2	ISOLIERKÖRPER BUCHSE / INSULATOR SOCKET
3	DICHTKÖRPER / GROMMET
4	ENDRING / ENDRING
6	KONTAKTBUCHSE / CONTACT SOCKET
8	DOSENGEHÄUSE / SHELL
12	ENDGEHÄUSE / ENDBELL

Note: Due to an automatic nomenclature system, numbers generated may not be sequential. Specification and Dimensions subject to change Drawings illustrate normal insulator positioning
Material Specification:
Shell Material: Aluminium alloy
Shell Plating: Olive drab chromate over cadmium (conductive)
Insulator Material: CR-Elastomere
Contact Material: Copper alloy
Contact Plating: Gold 0,5 µm

all dimensions are in mm Dimensions without tolerance indications are general tolerances in acc. with DIN7168m	drawing for CUSTOMER
 ITT <i>Engineered for life</i> <small>ITT CANNON CORP. D-71284 Heimsheim/Germany</small>	description CA3100E32-7S-B-F80-A176 Wall mounting receptacle Endbell with clamp and bushing AWG Crimp / Socket / Layout: 32-7
<small>© All rights reserved. Reproduction or issue in third in any form without written authorization of ITT Cannon</small>	page 1/1 revision 786 4. Jul 16