



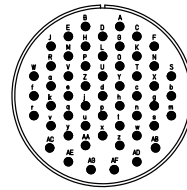
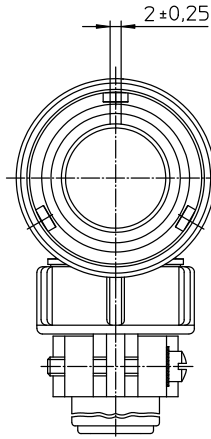
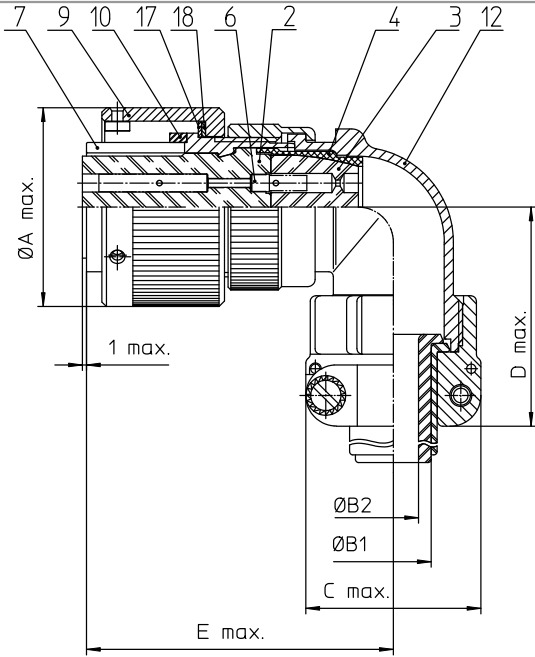
## **Excellent Integrated System Limited**

Stocking Distributor

Click to view price, real time Inventory, Delivery & Lifecycle Information:

[ITT Cannon, LLC](#)  
[CA08EW32A10S-B-F80-A176](#)

For any questions, you can email us directly:  
[sales@integrated-circuit.com](mailto:sales@integrated-circuit.com)



NO.	MASSE / DIMENSION
A	60.1
B1	26.8
B2	21.5
C	51.7
D	66
E	72

NO.	BESCHREIBUNG / DESCRIPTION
2	ISOLIERKÖRPER BUCHSE / INSULATOR SOCKET
3	DICHTKÖRPER / GROMMET
4	ENDRING / ENDRING
6	KONTAKTBUCHSE / CONTACT SOCKET
7	ZYLINDERGHÄUSE / BARREL
9	ÜBERWURFMUTTER / COUPLING NUT
10	DICHTRING FRONT / FRONT SEALING RING
12	ENDGEHÄUSE / ENDBELL
17	REIBRING / FRICTION RING
18	WELLFEDER / WASHER

Note: Due to an automatic nomenclature system, numbers generated may not be sequential.

Specification and Dimensions subject to change  
 Drawings illustrate normal insulator positioning.

**Material Specifications:**

Shell Material:	Aluminum alloy
Shell Plating:	Olive drab chromate over cadmium (conductive)
Insulator Material:	CR-Elastomere
Contact Material:	Copper alloy
Contact Plating:	Gold 0.5 µm

**all dimensions are in mm**

Dimensions without tolerance indicators are general tolerances in acc. with DINT169m

drawing for  
CUSTOMER



**ITT**  
 Engineered for life  
 ITT CANNON GROUP  
 ITT CANON ELECTRONICS

description CA08EW32A10S-B-F80-A176  
 Plug, 90°  
 with spring washer and 90° endbell  
 AWG Crimp / Socket / Layout: 32A10

All rights reserved. Reproduction or use in any form without the prior written authorization of ITT Cannon.

page 1/1  
 revision 786.4, Jul 16