

Excellent Integrated System Limited

Stocking Distributor

Click to view price, real time Inventory, Delivery & Lifecycle Information:

[Phoenix Contact](#)
[1533592](#)

For any questions, you can email us directly:

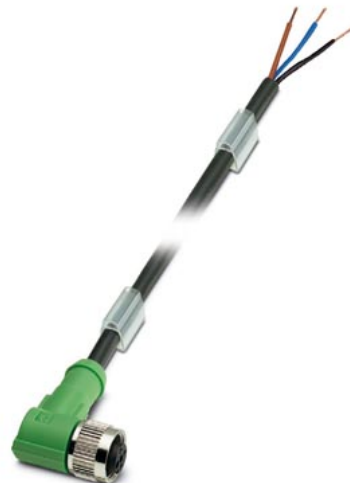
sales@integrated-circuit.com



Extract from the online catalog

SAC-4P- 10,0-PVC/M12FR


Order No.: 1533592



<http://eshop.phoenixcontact.de/phoenix/treeViewClick.do?UID=1533592>

Sensor/Actuator cable, 4-position, PVC, Black RAL 9005, Free conductor end, on Socket, angled M12, A-coded, Cable length: 10 m

Commercial data

GTIN (EAN)	 4 017918 992132
sales group	D111
Pack	1 pcs.
Customs tariff	85444290

Product notes

WEEE/RoHS-compliant since:
12/15/2005



<http://www.download.phoenixcontact.com>
Please note that the data given here has been taken from the online catalog. For comprehensive information and data, please refer to the user documentation. The General Terms and Conditions of Use apply to Internet downloads.

Technical data

General data

Number of positions	4
Length of cable	10 m

SAC-4P- 10,0-PVC/M12FR Order No.: 1533592
<http://eshop.phoenixcontact.de/phoenix/treeViewClick.do?UID=1533592>

General characteristics

Insertion/withdrawal cycles	≥ 100
Contact material	CuSn
Contact surface material	Ni/Au
Contact carrier material	TPU GF
Material of grip body	TPU, hardly inflammable, self-extinguishing
Material, knurls	Zinc die-cast, (nickel-plated)
Sealing material	NBR

Conductor data

Cable type	PVC black
Cable abbreviation	LIYY
Conductor cross section	0.34 mm ²
AWG signal line	22
Conductor structure signal line	42x 0.10 mm
Core diameter including insulation	1.52 mm ±0.02 mm
Thickness, insulation	≥ 0.23 mm (Core insulation)
	≥ 0.76 mm (Outer cable sheath)
External cable diameter	5.20 mm
Wire colors	Brown, white, blue, black
External sheath, color	Black RAL 9005
Insulation resistance	≥ 100 MΩ*km
Conductor resistance	max. 57.3 Ω/km
Nominal voltage, conductor	300 V
Test voltage, conductor	2500 V
Overall twist	4 wires, twisted
Outer sheath, material	PVC
Material conductor insulation	PVC
Conductor material	Bare Cu litz wires
Cable weight	43 kg/km

Certificates / Approvals



Certification

CUL Listed, UL Listed

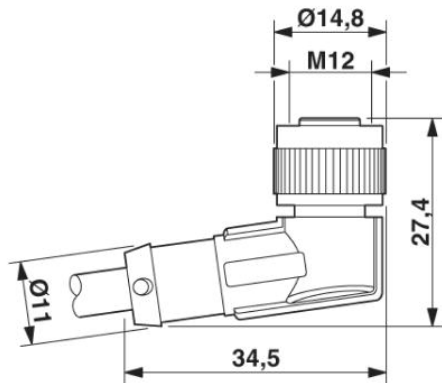
SAC-4P- 10,0-PVC/M12FR Order No.: 1533592

<http://eshop.phoenixcontact.de/phoenix/treeViewClick.do?UID=1533592>

Diagrams/Drawings

Dimensioned drawing

M12 x 1 female connector, angled



SAC-4P- 10,0-PVC/M12FR Order No.: 1533592

<http://eshop.phoenixcontact.de/phoenix/treeViewClick.do?UID=1533592>

Address

PHOENIX CONTACT Deutschland GmbH
Flachsmarktstr. 8
32825 Blomberg, Germany
Phone +49 5235 3 12000
Fax +49 5235 3 41200
<http://www.phoenixcontact.de>



© 2011 Phoenix Contact
Technical modifications reserved;