

Excellent Integrated System Limited

Stocking Distributor

Click to view price, real time Inventory, Delivery & Lifecycle Information:

[Phoenix Contact](#)
[1560316](#)

For any questions, you can email us directly:
sales@integrated-circuit.com



Extract from the online catalog

SAC-4P-M12MR/ 4,0-PUR/M12FS-3L

Order No.: 1560316



<http://eshop.phoenixcontact.de/phoenix/treeViewClick.do?UID=1560316>

Sensor/Actuator cable, 4-position, PUR, halogen-free, Black-gray RAL 7021, Plug, angled M12, A-coded, on Socket, straight M12, A-coded, Cable length: 4 m

Commercial data	
GTIN (EAN)	 4 046356 184588
Note	Made-to-order
sales group	D111
Pack	5 pcs.
Customs tariff	85444290

Product notes

WEEE/RoHS-compliant since:
01/29/2007



<http://www.download.phoenixcontact.com>
Please note that the data given here has been taken from the online catalog. For comprehensive information and data, please refer to the user documentation. The General Terms and Conditions of Use apply to Internet downloads.

Technical data

General data	
Rated current at 40°C	4 A
Rated voltage	24 V
Number of positions	4
Volume resistance	≤ 5 mΩ

SAC-4P-M12MR/ 4,0-PUR/M12FS-3L Order No.: 1560316
<http://eshop.phoenixcontact.de/phoenix/treeViewClick.do?UID=1560316>

Insulation resistance	≥ 100 MΩ
Length of cable	4 m

General characteristics

Coding	A - standard
Surge voltage category	II
Pollution degree	3
Degree of protection	IP65/IP68/IP69K
Insertion/withdrawal cycles	≥ 100
Contact material	CuSn
Contact surface material	Ni/Au
Contact carrier material	TPU GF
Material of grip body	TPU, hardly inflammable, self-extinguishing
Material, knurls	Zinc die-cast, (nickel-plated)
Sealing material	NBR
Status display	3 LEDs

Conductor data

Cable type	PUR halogen-free black
Cable abbreviation	Li9Y11Y-HF
Conductor cross section	0.34 mm ²
AWG signal line	22
Conductor structure signal line	42x 0.10 mm
Core diameter including insulation	1.27 mm ±0.02 mm
Thickness, insulation	Approx. 0.21 mm (Core insulation) Approx. 0.8 mm (Outer cable sheath)
External cable diameter	4.70 mm
Wire colors	Black, brown, blue, white
External sheath, color	Black-gray RAL 7021
Insulation resistance	≥ 100 MΩ*km
Conductor resistance	≤ 58 Ω/km
Nominal voltage, conductor	300 V
Test voltage, conductor	3000 V
Overall twist	4 wires, twisted
Outer sheath, material	PUR
Material conductor insulation	PP

SAC-4P-M12MR/ 4,0-PUR/M12FS-3L Order No.: 1560316
<http://eshop.phoenixcontact.de/phoenix/treeViewClick.do?UID=1560316>

Conductor material	Bare Cu litz wires
Cable weight	30 kg/km
Smallest bending radius, movable installation	47 mm
Number of bending cycles	4000000
Bending radius	47 mm
Traversing path	10 m
Traversing rate	3 m/s

Certificates / Approvals

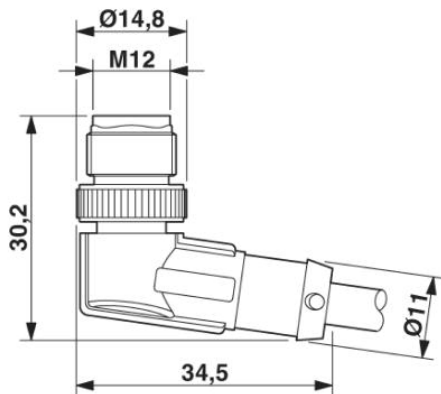


Certification

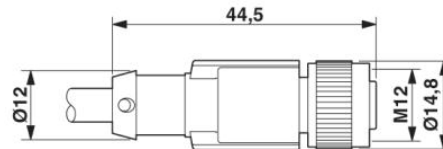
CUL Listed, UL Listed

Diagrams/Drawings

Dimensioned drawing



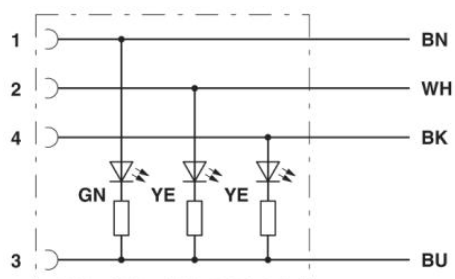
M12 x 1 male connector, angled



Socket M12 x 1, straight, with LED

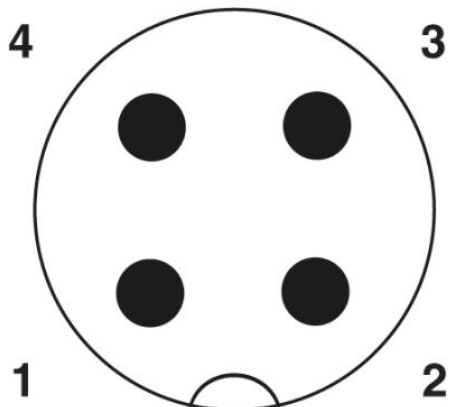
SAC-4P-M12MR/ 4,0-PUR/M12FS-3L Order No.: 1560316
<http://eshop.phoenixcontact.de/phoenix/treeViewClick.do?UID=1560316>

Circuit diagram

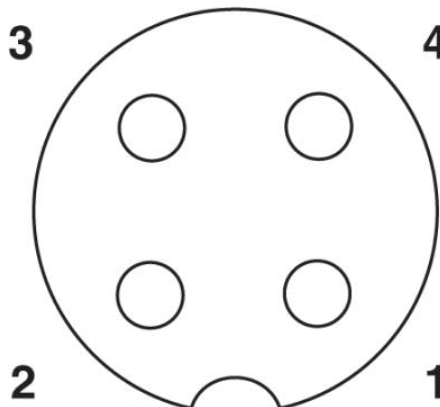


Contact assignment of M12 connectors / sockets with 3 LEDs

Schematic diagram



Pin assignment M12 plug, 4-pos., A-coded, view plug side



Pin assignment M12 socket, 4-pos., A-coded, view female side

SAC-4P-M12MR/ 4,0-PUR/M12FS-3L Order No.: 1560316
<http://eshop.phoenixcontact.de/phoenix/treeViewClick.do?UID=1560316>

Address

PHOENIX CONTACT Deutschland GmbH
Flachsmarktstr. 8
32825 Blomberg, Germany
Phone +49 5235 3 12000
Fax +49 5235 3 41200
<http://www.phoenixcontact.de>



© 2011 Phoenix Contact
Technical modifications reserved;