

Excellent Integrated System Limited

Stocking Distributor

Click to view price, real time Inventory, Delivery & Lifecycle Information:

[Phoenix Contact](#)
[1527223](#)

For any questions, you can email us directly:

sales@integrated-circuit.com



Extract from the online catalog

SAC-4P-MICFR/10,0-PUR

This item is no longer available. Should you have any questions, please contact our Sales Team.

Order No.: 1527223

<http://eshop.phoenixcontact.de/phoenix/treeViewClick.do?UID=1527223>

Sensor/Actuator cable, 4-position, PUR/PVC, Black-gray RAL 7021, Free conductor end, on Socket, angled 1/2"-20UNF, Cable length: 10 m

Commercial data	
GTIN (EAN)	4046356080521
Note	Made-to-order
sales group	D144
Pack	5 pcs.
Customs tariff	85444290
Weight/Piece	0.22222 KG

Product notes

WEEE/RoHS-compliant since:
05/05/2006



<http://www.download.phoenixcontact.com>
Please note that the data given here has been taken from the online catalog. For comprehensive information and data, please refer to the user documentation. The General Terms and Conditions of Use apply to Internet downloads.

Certificates / Approvals



Certification

CUL Listed, UL Listed

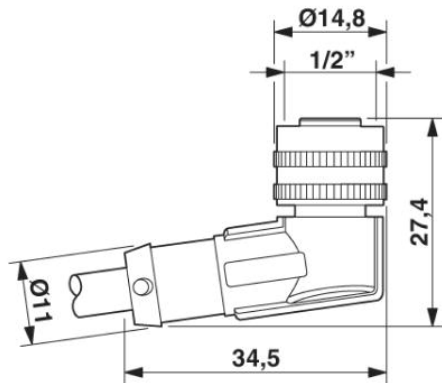
SAC-4P-MICFR/10,0-PUR Order No.: 1527223

<http://eshop.phoenixcontact.de/phoenix/treeViewClick.do?UID=1527223>

Diagrams/Drawings

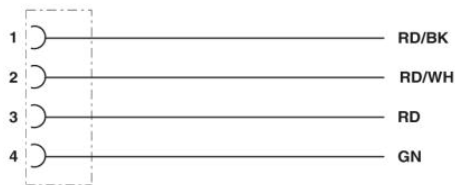
Dimensioned drawing

1/2"-20UNF socket, angled



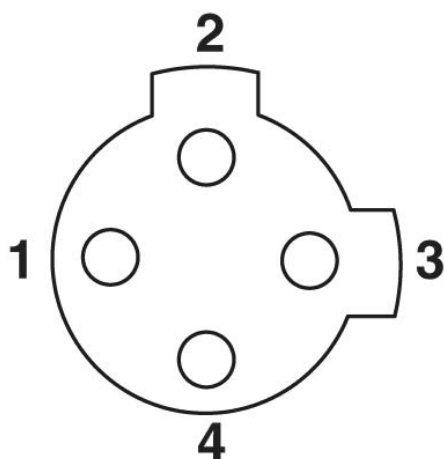
Circuit diagram

Contact assignment of 1/2" UNF sockets



Schematic diagram

Pin assignment 1/2"-20UNF socket, 4-pos., view female side



SAC-4P-MICFR/10,0-PUR Order No.: 1527223

<http://eshop.phoenixcontact.de/phoenix/treeViewClick.do?UID=1527223>

Address

PHOENIX CONTACT Inc., USA
586 Fulling Mill Road
Middletown, PA 17057, USA
Phone (800) 888-7388
Fax (717) 944-1625
<http://www.phoenixcon.com>



© 2010 Phoenix Contact
Technical modifications reserved;