

## Excellent Integrated System Limited

Stocking Distributor

Click to view price, real time Inventory, Delivery & Lifecycle Information:

[Phoenix Contact](#)  
[1536447](#)

For any questions, you can email us directly:

[sales@integrated-circuit.com](mailto:sales@integrated-circuit.com)



Extract from the online catalog

## SAC-5P- 1,5-PUR/FR SCO


Order No.: 1536447



<http://eshop.phoenixcontact.de/phoenix/treeViewClick.do?UID=1536447>

Sensor/Actuator cable, 5-position, PUR, halogen-free, Black-gray RAL 7021, Free conductor end, on Socket, angled M12-SPEEDCON, A-coded, Cable length: 1.5 m



Commercial data	
GTIN (EAN)	 4 046356 093804
Note	Made-to-order
sales group	D112
Pack	1 pcs.
Customs tariff	85444290
Catalog page information	Page 86 (PC-2009)

### Product notes

WEEE/RoHS-compliant since:  
03/02/2006



<http://www.download.phoenixcontact.com>  
Please note that the data given here has been taken from the online catalog. For comprehensive information and data, please refer to the user documentation. The General Terms and Conditions of Use apply to Internet downloads.

### Technical data

#### General data

Rated current at 40°C	4 A
Rated voltage	60 V
Number of positions	5
Volume resistance	≤ 5 mΩ

SAC-5P- 1,5-PUR/FR SCO Order No.: 1536447

<http://eshop.phoenixcontact.de/phoenix/treeViewClick.do?UID=1536447>

Insulation resistance	≥ 100 MΩ
Length of cable	1.5 m
Stripping length of the free conductor end	50 mm
Ambient temperature (operation)	-25 °C ... 90 °C (Male connector / female connector)

**General characteristics**

Standards/regulations	M12 connector IEC 61076-2-101
Coding	A - standard
Surge voltage category	II
Pollution degree	3
Degree of protection	IP65/IP68/IP69K
Contact material	CuSn
Contact surface material	Ni/Au
Contact carrier material	TPU GF
Material of grip body	TPU, hardly inflammable, self-extinguishing
Material, knurls	Zinc die-cast, (nickel-plated)
Sealing material	NBR
Status display	No

**Conductor data**

Cable type	PUR halogen-free black
Cable type (abbreviation)	PUR
Conductor cross section	0.34 mm <sup>2</sup>
AWG signal line	22
Conductor structure signal line	42x 0.10 mm
Core diameter including insulation	1.27 mm ±0.05 mm
External cable diameter	5.00 mm
Wire colors	brown, blue, white, black, green/yellow
External sheath, color	Black-gray RAL 7021
Outer sheath, material	PUR
Conductor material	Bare Cu litz wires
Cable weight	35 kg/km
Number of bending cycles	4000000
Bending radius	50 mm
Traversing path	10 m
Traversing rate	3 m/s

SAC-5P- 1,5-PUR/FR SCO Order No.: 1536447

<http://eshop.phoenixcontact.de/phoenix/treeViewClick.do?UID=1536447>

Acceleration	10 m/s <sup>2</sup>
Ambient temperature (operation)	-40 °C ... 80 °C (cable, fixed installation)
	-5 °C ... 80 °C (cable, flexible installation)
Special properties	Flexible cable conduit capable
	Silicone-free
	Free of substances which would hinder coating with paint or varnish
Flame resistance	in accordance with DIN UL-Style 20549
Halogen-free	in accordance with DIN VDE 0472 part 815
Resistance to oil	in accordance with DIN EN 60811-2-1
Other resistance	Highly resistant to acids, alkaline solutions and solvents
	hydrolysis and microbe resistant

#### Certificates / Approvals



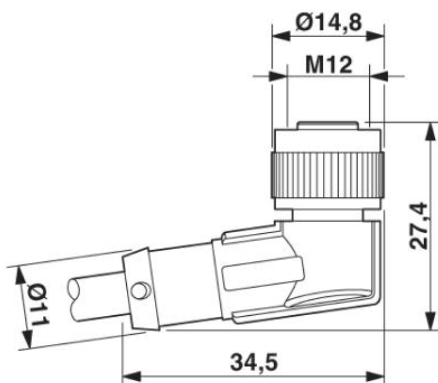
Certification

CUL Listed, UL Listed

#### Diagrams/Drawings

Dimensioned drawing

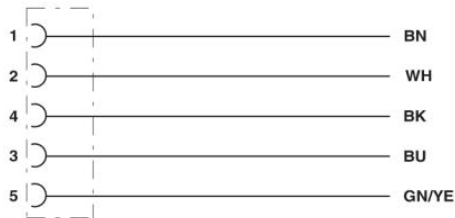
M12 x 1 female connector, angled



SAC-5P- 1,5-PUR/FR SCO Order No.: 1536447

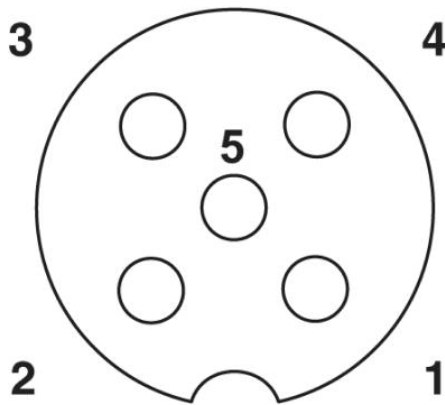
<http://eshop.phoenixcontact.de/phoenix/treeViewClick.do?UID=1536447>

Circuit diagram



Contact assignment of the M12 plug and the M12 socket

Schematic diagram



Pin assignment M12 socket, 5-pos., A-coded, socket side view

SAC-5P- 1,5-PUR/FR SCO Order No.: 1536447

<http://eshop.phoenixcontact.de/phoenix/treeViewClick.do?UID=1536447>

---

#### Address

PHOENIX CONTACT Deutschland GmbH  
Flachsmarktstr. 8  
32825 Blomberg, Germany  
Phone +49 5235 3 12000  
Fax +49 5235 3 41200  
<http://www.phoenixcontact.de>



© 2011 Phoenix Contact  
Technical modifications reserved;