

## Excellent Integrated System Limited

Stocking Distributor

Click to view price, real time Inventory, Delivery & Lifecycle Information:

[Crouzet USA](#)  
[80141002](#)

For any questions, you can email us directly:

[sales@integrated-circuit.com](mailto:sales@integrated-circuit.com)



**30 and 40 W - 10 Nm - Right-angle gearbox 801410 SNI10 Part number 80141002**



**With or without integrated control electronics**

- Output perpendicular to motor
- Ideal for short reduction ratios
- Ideal for very compact applications
- Silent operation
- Non-reversible movement at high ratios

**Part numbers**

	Type	With built-in electronic control	Without built-in control, with Hall effect sensors	Ratios (i)	Output speed (rpm) 24 V DC	Available torque (Nm)	Efficiency (%)
<b>80141002</b>	801410 SNI10	SNI10	-	10	220	0,7	-

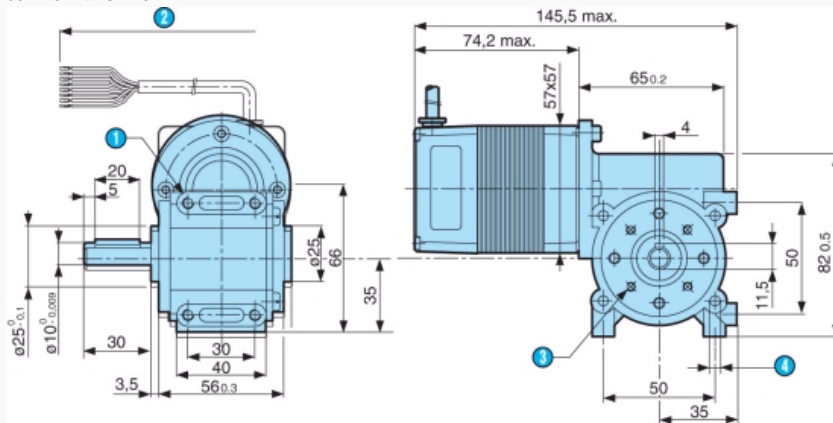
**Specifications**

**General characteristics**

Motor	80140004
Gearbox	81041
Nominal motor power at 24 V (W)	32
Max. torque (Nm)	10
Axial load dynamic (N)	10
Radial load dynamic (N)	15
Temperature rise at 50 % cycle (°C)	45
Weight (g)	1500
Protection index	IP54

**Dimensions (mm)**

**801410 with SNI10**



N°	Legend
1	4 x M5 depth 8 mm (on rectangle 30x50)
2	Length of cable 400 ± 10 mm
3	4 x M4 over Ø 36 depth 8 mm
4	4 x M5 over depth 8 mm (on rectangle 30x50) The left-hand and right-hand sides of the gearbox are identical

**Precautions for use**

The limits and precautions for use described in the 80140 brushless motor section must be observed.

**Product adaptations**



- Other powers (60 W - 95 W)
- Dimensions of gearbox shaft
- Without cable but with connector integrated in motor
- Cable length, with or without connector
- Other reduction ratios
- Mechanical holding brake