



## **Excellent Integrated System Limited**

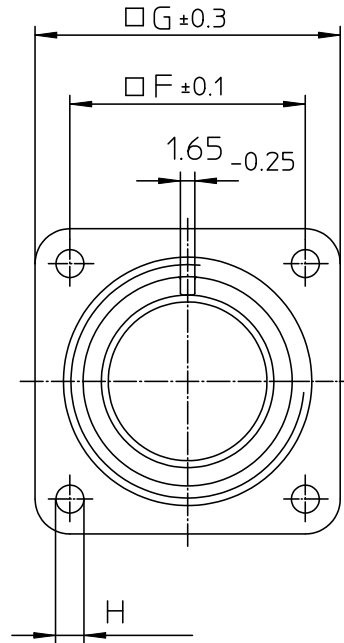
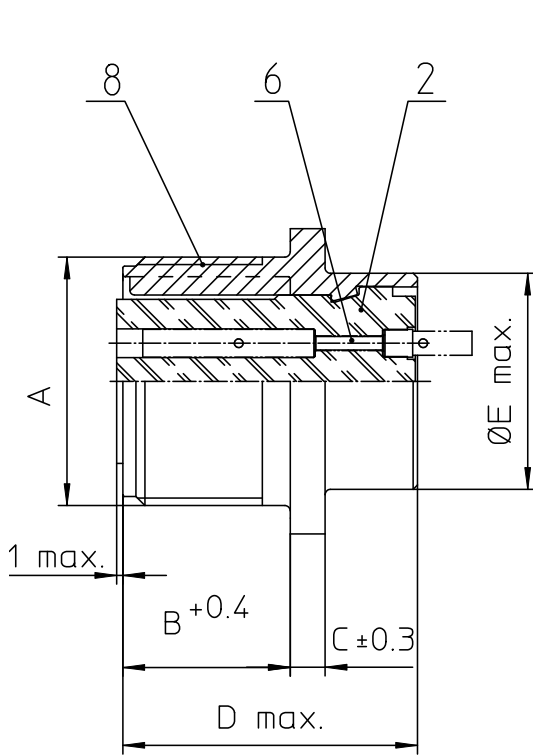
Stocking Distributor

Click to view price, real time Inventory, Delivery & Lifecycle Information:

[ITT Cannon, LLC](#)  
[CA3102E10SL-4SF80F0](#)

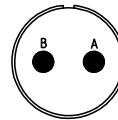
For any questions, you can email us directly:

[sales@integrated-circuit.com](mailto:sales@integrated-circuit.com)



NO.	MASSE / DIMENSION
A	5/8-24NEF-2A
B	14.2
C	2.8
D	25.1
E	15.9
F	18.2
G	25.4
H	3.1

NO.	BESCHREIBUNG / DESCRIPTION
2	ISOLIERKÖRPER BUCHSE / INSULATOR SOCKET
6	KONTAKTBUCHSE / CONTACT SOCKET
8	DOSENGEHÄUSE / SHELL



Note: Due to an automatic nomenclature system, numbers generated may not be sequential.  
Specification and Dimensions subject to change  
Drawings illustrate normal insulator positioning

**Material Specification:**  
Shell Material: Aluminium alloy  
Shell Plating: Olive drab chromate coating over cadmium plating  
Insulator Material: Neoprene  
Contact Material: Copper alloy  
Contact Plating: Hard silver

<p><b>all dimensions are in mm</b> Dimensions without tolerance indications are general tolerances in acc. with DIN7168m</p>	<p>drawing for <b>CUSTOMER</b></p>
<p><b>ITT</b> Engineered for life ITT CANNON GmbH D-71034 Wernau/Germany</p>	<p>description CA3102E10SL-4S-F80-F0 Box mounting receptacle AWG Crimp / Socket / Layout: 10SL-4</p>
<p>© All rights reserved. Reproduction or issue in third in any form without written authorization of ITT Cannon</p>	<p>page 1/1 revision 377.3, Jul 16</p>