



**Distributor of ITT Cannon, LLC: Excellent Integrated System Limited**

Datasheet of CA3102E14S-2PF80F0 - CONN HSG BOX MNT RCPT 4POS

Contact us: [sales@integrated-circuit.com](mailto:sales@integrated-circuit.com) Website: [www.integrated-circuit.com](http://www.integrated-circuit.com)

---

## **Excellent Integrated System Limited**

Stocking Distributor

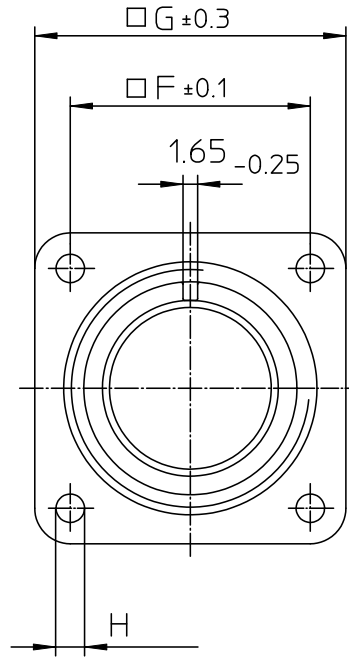
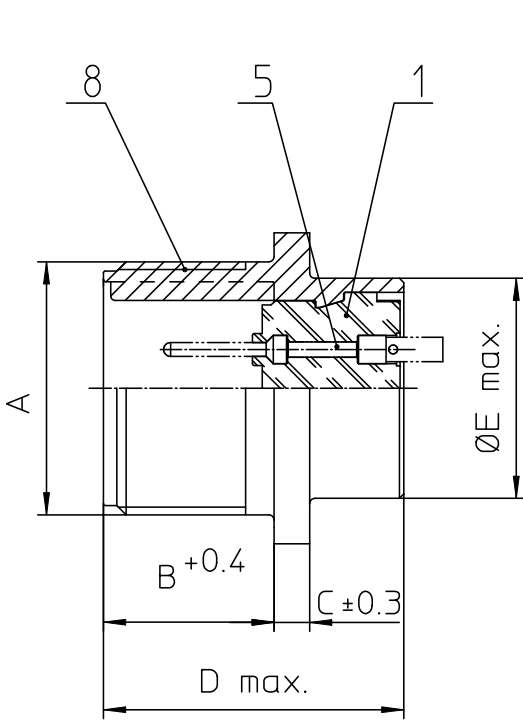
Click to view price, real time Inventory, Delivery & Lifecycle Information:

[ITT Cannon, LLC](#)

[CA3102E14S-2PF80F0](#)

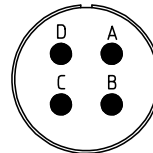
For any questions, you can email us directly:

[sales@integrated-circuit.com](mailto:sales@integrated-circuit.com)



NO.	MASSE / DIMENSION
A	7/8-20UNEF-2A
B	14.2
C	3.2
D	25.1
E	19
F	23
G	30
H	3.1

NO.	BESCHREIBUNG / DESCRIPTION
1	ISOLIERKÖRPER STIFT / INSULATOR PIN
5	KONTAKTSTIFT/ CONTACT PIN
8	DOSENGEHÄUSE / SHELL



Note: Due to an automatic nomenclature system, numbers generated may not be sequential.  
Specification and Dimensions subject to change  
Drawings illustrate normal insulator positioning

Material Specification:	
Shell Material:	Aluminium alloy
Shell Plating:	Olive drab chromate coating over cadmium plating
Insulator Material:	Neoprene
Contact Material:	Copper alloy
Contact Plating:	Hard silver

all dimensions are in mm  
Dimensions without tolerance indications are general tolerances in acc. with DIN7168m

drawing for  
CUSTOMER



description CA3102E14S-2P-F80-F0  
Box mounting receptacle

Engineered for life  
ITT CANNON GmbH  
D-71284 Weinstadt, Germany

AWG Crimp / Pin / Layout: 14S-2

© All rights reserved. Reproduction or issue in third in any form  
without prior written authorization of ITT Cannon

page 1/1 revision 377.3, Jul 16