



Excellent Integrated System Limited

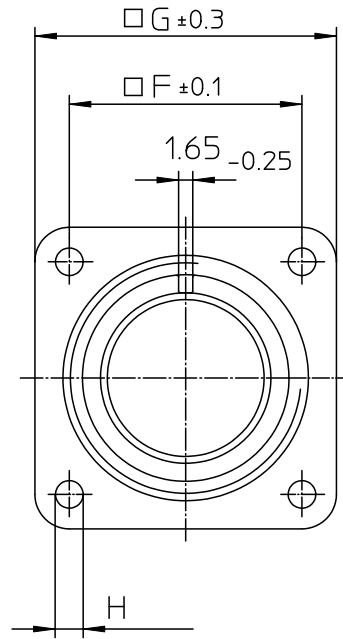
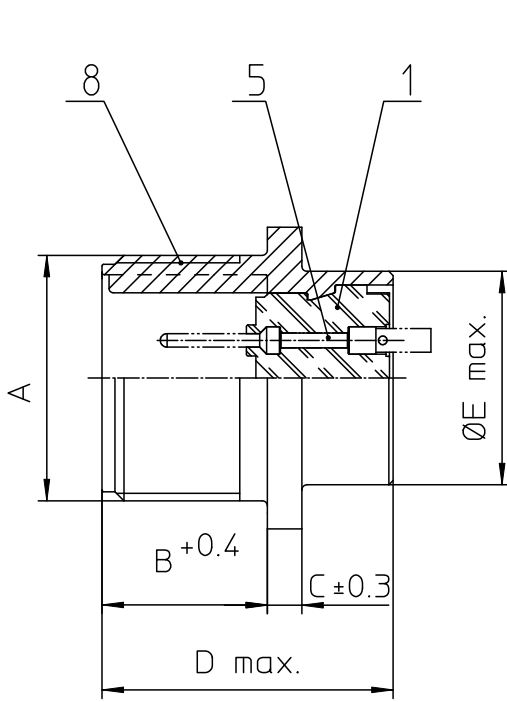
Stocking Distributor

Click to view price, real time Inventory, Delivery & Lifecycle Information:

[ITT Cannon, LLC](#)
[CA3102E16S-8PF80F0](#)

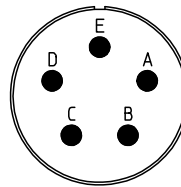
For any questions, you can email us directly:

sales@integrated-circuit.com



NO.	MASSE / DIMENSION
A	1-20UNEF-2A
B	14.2
C	3.2
D	25.1
E	22.2
F	24.6
G	32.5
H	3.1

NO.	BESCHREIBUNG / DESCRIPTION
1	ISOLIERKÖRPER STIFT / INSULATOR PIN
5	KONTAKTSTIFT / CONTACT PIN
8	DOSENGEHÄUSE / SHELL



<p>Note: Due to an automatic nomenclature system, numbers generated may not be sequential</p> <p>Specification and Dimensions subject to change Drawings illustrate normal insulator positioning</p>	
Material Specification:	
Shell Material:	Aluminium alloy
Shell Plating:	Olive drab chromate coating over cadmium plating
Insulator Material:	Nieprene
Contact Material:	Copper alloy
Contact Plating:	Hard silver

<p>all dimensions are in mm Dimensions without tolerance indications are general tolerances in acc. with DIN7168mm</p>		<p>drawing for CUSTOMER</p>
<p>ITT Engineered for life ITT CANNON GERMANY D-71334 Weinstadt-Germersheim</p>		<p>description CA3102E16S-8P-F80-F0 Box mounting receptacle</p>
<p>© All rights reserved. Reproduction or use in any form without prior written authorization of ITT Cannon</p>		<p>AWG Crimp / Pin / Layout: 16S-8</p> <p>page 1/1 revision 377.3, Jul 16</p>