



Excellent Integrated System Limited

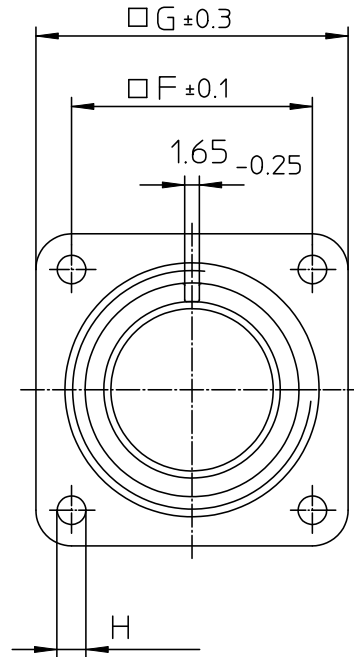
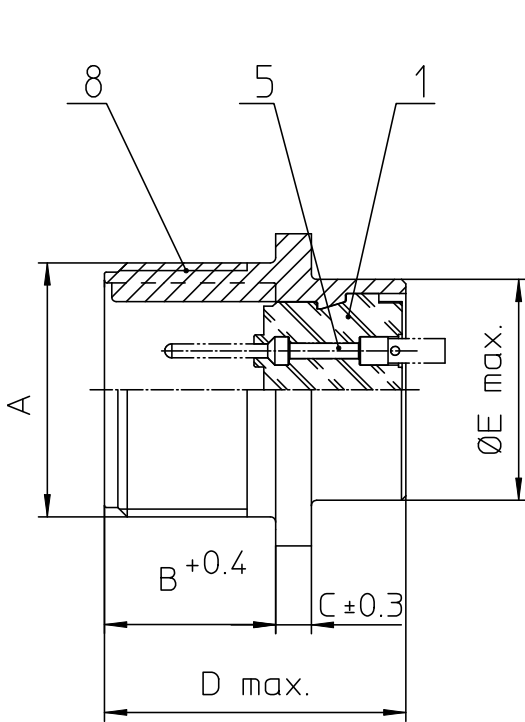
Stocking Distributor

Click to view price, real time Inventory, Delivery & Lifecycle Information:

[ITT Cannon, LLC](#)
[CA3102E14S-5PF80A206](#)

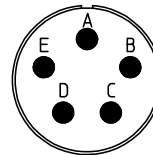
For any questions, you can email us directly:

sales@integrated-circuit.com



| NO. | MASSE / DIMENSION |
|-----|-------------------|
| A | 7/8-20UNEF-2A |
| B | 14.2 |
| C | 3.2 |
| D | 25.1 |
| E | 19 |
| F | 23 |
| G | 30 |
| H | 3.1 |

| NO. | BESCHREIBUNG / DESCRIPTION |
|-----|-------------------------------------|
| 1 | ISOLIERKÖRPER STIFT / INSULATOR PIN |
| 5 | KONTAKTSTIFT / CONTACT PIN |
| 8 | DOSENGEHÄUSE / SHELL |



| |
|---|
| Note: Due to an automatic nomenclature system, numbers generated may not be sequential. Specification and Dimensions subject to change Drawings illustrate normal insulator positioning |
| Material Specification: |
| Shell Material: Aluminium alloy |
| Shell Plating: Black Zinc Cobalt (conductive) |
| Insulator Material: Neoprene |
| Contact Material: Copper alloy |
| Contact Plating: Hard silver |

| | |
|--|--|
| all dimensions are in mm Dimensions without tolerance indications are general tolerances in acc. with DIN7168m | drawing for CUSTOMER |
| ITT <i>Engineered for life</i> ITT CANNON GmbH D-71024 Weinstadt-Göppingen | description CA3102E14S-5P-F80-A206 Box mounting receptacle AWG Crimp / Pin / Layout: 14S-5 |
| © All rights reserved. Reproduction or reuse is third in any form whenever it only permits with written authorization of ITT Cannon | page 1/1 revision 377.3, Jul 16 |