



Excellent Integrated System Limited

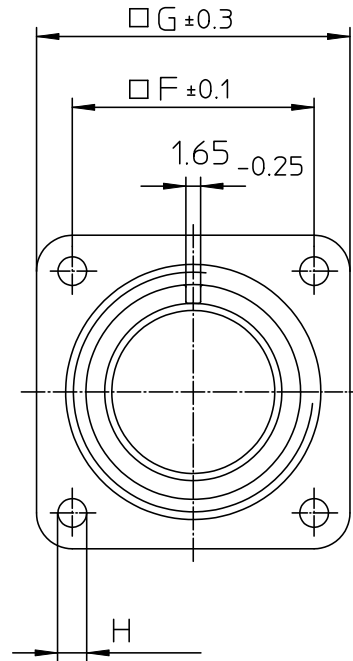
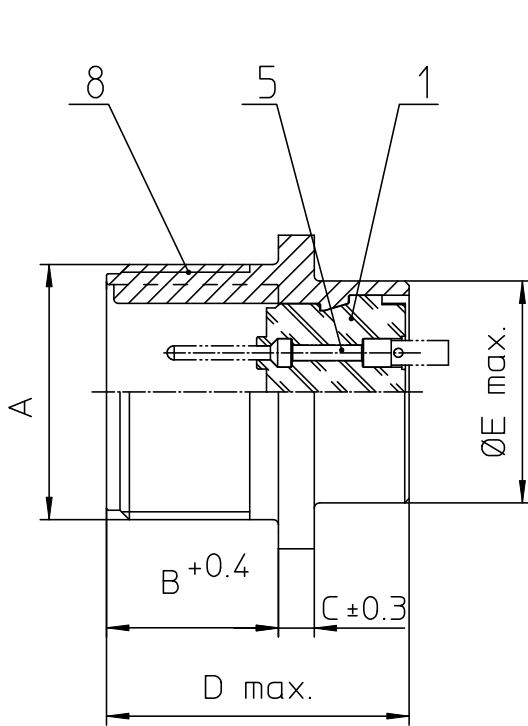
Stocking Distributor

Click to view price, real time Inventory, Delivery & Lifecycle Information:

[ITT Cannon, LLC](#)
[CA3102E14S-1PF80](#)

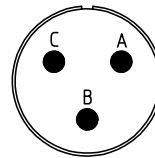
For any questions, you can email us directly:

sales@integrated-circuit.com



NO.	MASSE / DIMENSION
A	7/8-20UNEF-2A
B	14.2
C	3.2
D	25.1
E	19
F	23
G	30
H	3.1

NO.	BESCHREIBUNG / DESCRIPTION
1	ISOLIERKÖRPER STIFT / INSULATOR PIN
5	KONTAKTSTIFT / CONTACT PIN
8	DOSENGEHÄUSE / SHELL



Note: Due to an automatic nomenclature system, numbers generated may not be sequential.
Specification and Dimensions subject to change Drawings illustrate normal insulator positioning
Material Specification:
Shell Material: Aluminium alloy
Shell Plating: Olive drab chromate coating over cadmium plating
Insulator Material: Neoprene
Contact Material: Copper alloy
Contact Plating: Hard silver

all dimensions are in mm Dimensions without tolerance Indications are general tolerances in acc. with DIN7168m	drawing for CUSTOMER
ITT Engineered for life ITT CANNON GmbH D-71034 Weinstadt Germany	description CA3102E14S-1P-F80 Box mounting receptacle AWG Crimp / Pin / Layout: 14S-1
© All rights reserved. Reproduction or issue by third in any form without prior written authorization of ITT Cannon.	page 1/1 revision 377.3, Jul 16