



Excellent Integrated System Limited

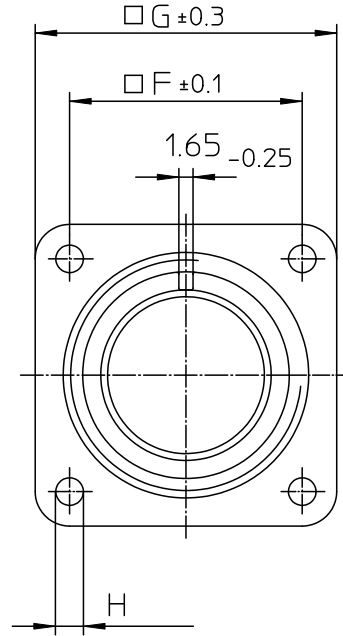
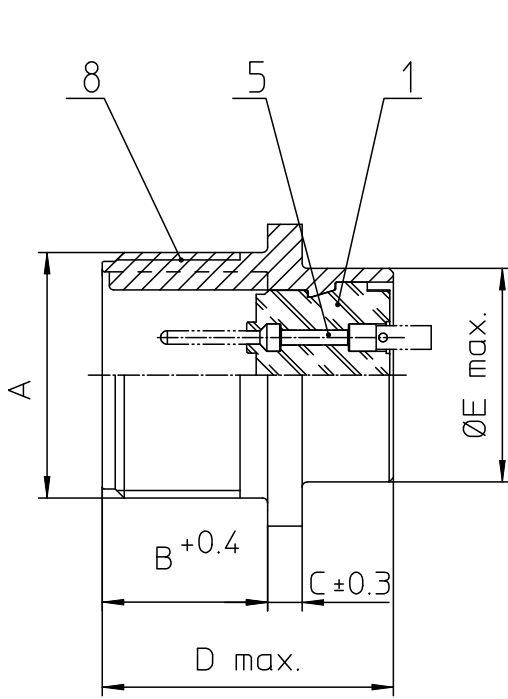
Stocking Distributor

Click to view price, real time Inventory, Delivery & Lifecycle Information:

[ITT Cannon, LLC](#)
[CA3102E16SA18PF80A176](#)

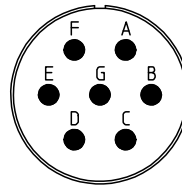
For any questions, you can email us directly:

sales@integrated-circuit.com



NO.	MASSE / DIMENSION
A	1-20UNEF-2A
B	14.2
C	3.2
D	25.1
E	22.2
F	24.6
G	32.5
H	3.1

NO.	BESCHREIBUNG / DESCRIPTION
1	ISOLIERKÖRPER STIFT / INSULATOR PIN
5	KONTAKTSTIFT / CONTACT PIN
8	DOSENGEHÄUSE / SHELL



Note: Due to an automatic nomenclature system, numbers generated may not be sequential. Specification and Dimensions subject to change Drawings illustrate normal insulator positioning	
Material Specification:	
Shell Material:	Aluminium alloy
Shell Plating:	Olive drab chromate coating over cadmium plating
Insulator Material:	Neoprene
Contact Material:	Copper alloy
Contact Plating:	Gold 0.5 µm/956

all dimensions are in mm Dimensions without tolerance indications are general tolerances in acc. with DIN 7168m	drawing for CUSTOMER
 ITT Engineered for life ITT CANADA CORP. 57104 Westside Drive	description CA3102E16SA18P-F80-A176 Box mounting receptacle AWG Crimp / Pin / Layout: 16S-A18
© All rights reserved. Reproduction or use in any form without prior written authorization of ITT Cannon	page 1/1 revision 377.3 Jul 16