



## **Excellent Integrated System Limited**

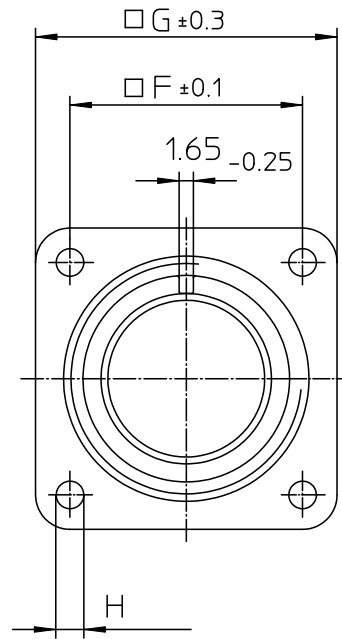
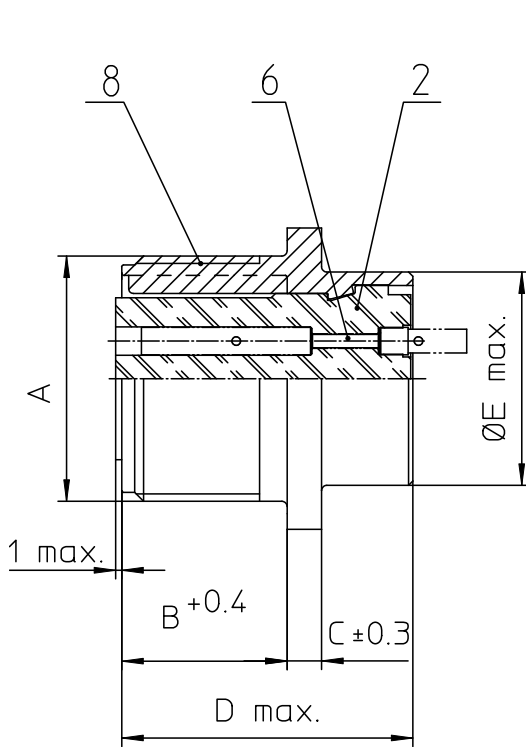
Stocking Distributor

Click to view price, real time Inventory, Delivery & Lifecycle Information:

[ITT Cannon, LLC](#)  
[CA3102E14S-2S](#)

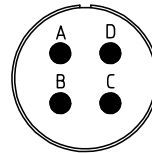
For any questions, you can email us directly:

[sales@integrated-circuit.com](mailto:sales@integrated-circuit.com)




NO.	MASSE / DIMENSION
A	7/8-20UNEF-2A
B	14.2
C	3.2
D	25.1
E	19
F	23
G	30
H	3.1

NO.	BESCHREIBUNG / DESCRIPTION
2	ISOLIERKÖRPER BUCHSE / INSULATOR SOCKET
6	KONTAKTBUCHSE / CONTACT SOCKET
8	DOSENGEHÄUSE / SHELL



<b>Note:</b> Due to an automatic nomenclature system, numbers generated may not be sequential.
<b>Specification and Dimensions subject to change</b> Drawings illustrate normal insulator positioning
<b>Material Specification:</b>
Shell Material: Aluminium alloy
Shell Plating: Olive drab chromate coating over cadmium plating
Insulator Material: Neoprene
Contact Material: Copper alloy
Contact Plating: Hard silver

<b>all dimensions are in mm</b> Dimensions without tolerance indications are general tolerances in acc. with DIN7168m	<b>drawing for</b> CUSTOMER
 <b>ITT</b> <i>Engineered for life</i> ITT CANON GmbH D-75364 Weinstadt/Germany	<b>description</b> CA3102E14S-2S Box mounting receptacle
<b>Solder Cup / Socket / Layout: 14S-2</b>	<b>revision</b> 377.3, Jul 16
<small>© All rights reserved. Reproduction or issue in any form without the written authorization of ITT Cannon</small>	<b>page</b> 1/1