



**Distributor of ITT Cannon, LLC: Excellent Integrated System Limited**

Datasheet of CA3102E20-18SF80F0 - CONN HSG BOX MNT RCPT 9POS

Contact us: [sales@integrated-circuit.com](mailto:sales@integrated-circuit.com) Website: [www.integrated-circuit.com](http://www.integrated-circuit.com)

---

## **Excellent Integrated System Limited**

Stocking Distributor

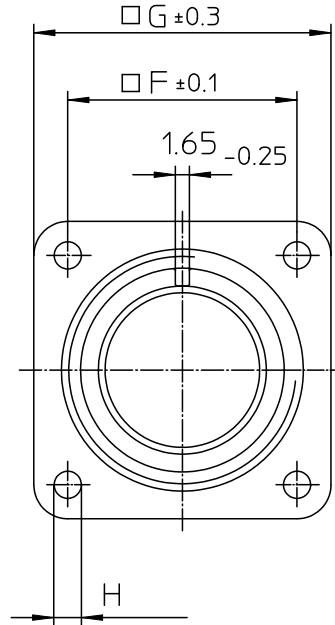
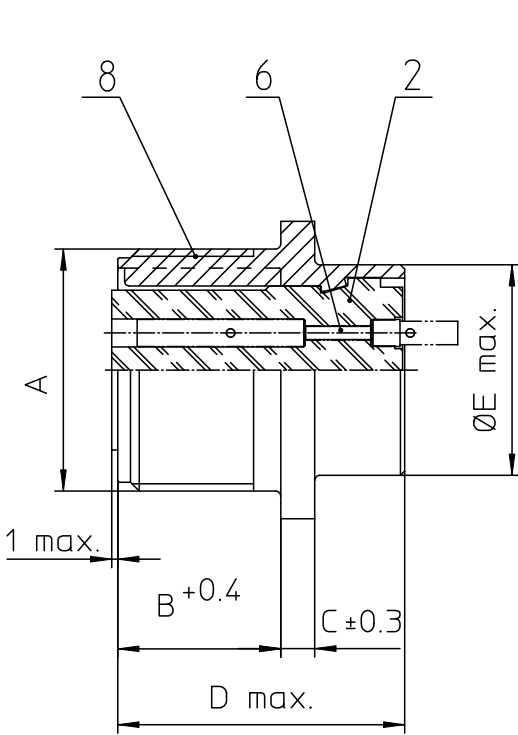
Click to view price, real time Inventory, Delivery & Lifecycle Information:

[ITT Cannon, LLC](#)

[CA3102E20-18SF80F0](#)

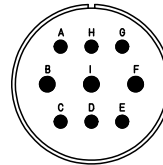
For any questions, you can email us directly:

[sales@integrated-circuit.com](mailto:sales@integrated-circuit.com)



NO.	MASSE / DIMENSION
A	1 1/4-18NEF-2A
B	19
C	4
D	34.2
E	29
F	29.4
G	38
H	3.1

NO.	BESCHREIBUNG / DESCRIPTION
2	ISOLIERKÖRPER BUCHSE / INSULATOR SOCKET
6	KONTAKTBUCHSE / CONTACT SOCKET
8	DOSENGEHÄUSE / SHELL



Note:	Due to an automatic nomenclature system, numbers generated may not be sequential.
	Specification and Dimensions subject to change Drawings illustrate normal insulator positioning
<b>Material Specification:</b>	
Shell Material:	Aluminium alloy
Shell Plating:	Olive drab chromate coating over cadmium plating
Insulator Material:	Neoprene
Contact Material:	Copper alloy
Contact Plating:	Hard silver

all dimensions are in mm Dimensions without tolerance indications are general tolerances in acc. with DIN7180m		drawing for CUSTOMER
 <b>ITT</b> <i>Engineered for life</i> <small>ITT Cannon GmbH D-71334 Weinstadt/Germany</small>	description	CA3102E20-18S-F80-F0 Box mounting receptacle
		AWG Crimp / Socket / Layout: 20-18
<small>© All rights reserved. Reproduction or issue to third is only for wishes is only permitted with written authorization of ITT Cannon</small>		<small>page</small> 1/1 <small>revision</small> 377.3 Jul 16