



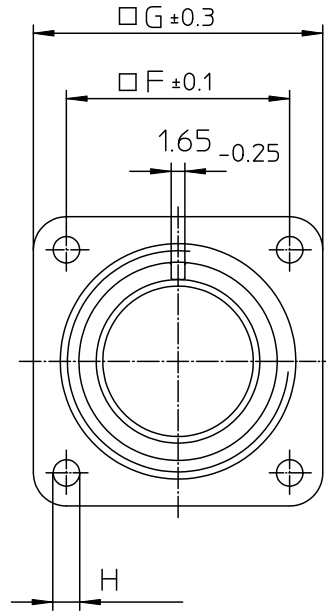
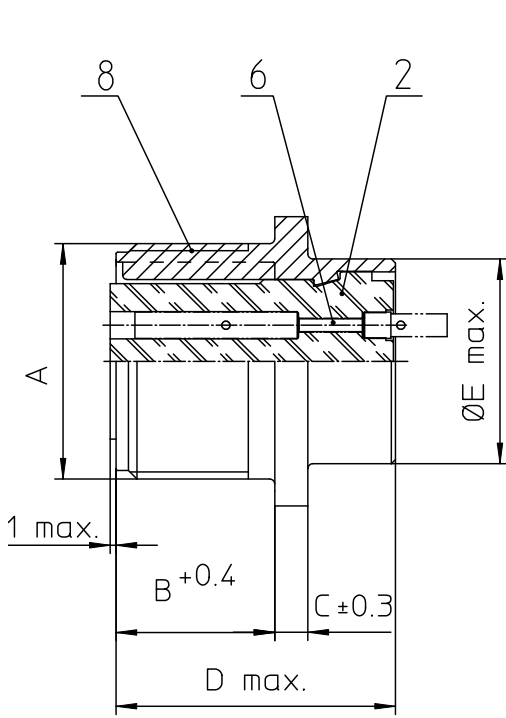
## **Excellent Integrated System Limited**

Stocking Distributor

Click to view price, real time Inventory, Delivery & Lifecycle Information:

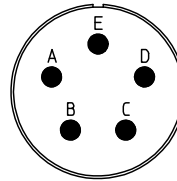
[ITT Cannon, LLC](#)  
[CA3102E16S-8SA206](#)

For any questions, you can email us directly:  
[sales@integrated-circuit.com](mailto:sales@integrated-circuit.com)




| NO. | MASSE / DIMENSION |
|-----|-------------------|
| A   | 1-20UNEF-2A       |
| B   | 14.2              |
| C   | 3.2               |
| D   | 25.1              |
| E   | 22.2              |
| F   | 24.6              |
| G   | 32.5              |
| H   | 3.1               |

| NO. | BESCHREIBUNG / DESCRIPTION              |
|-----|---|
| 2   | ISOLIERKÖRPER BUCHSE / INSULATOR SOCKET |
| 6   | KONTAKTBUCHSE / CONTACT SOCKET          |
| 8   | DOSENGEHÄUSE / SHELL                    |



|  |
|--|
| Note: Due to an automatic nomenclature system, numbers generated may not be sequential.            |
| Specification and Dimensions subject to change<br>Drawings illustrate normal insulator positioning |
| <b>Material Specification:</b>   |
| Shell Material: Aluminum alloy   |
| Shell Plating: Black Zinc Cobalt (conductive)  |
| Insulator Material: Neoprene   |
| Contact Material: Copper alloy   |
| Contact Plating: Hard silver   |

|   |                                    |
|---|------------------------------------|
| all dimensions are in mm<br>Dimensions without tolerance indications are general tolerances in acc. with DIN7168m   | drawing for<br>CUSTOMER            |
| <br>description CA3102E16S-8S-A206<br>Box mounting receptacle<br>Solder Cup / Socket / Layout: 16S-8 |                                    |
| © All rights reserved. Reproduction or use in any form without prior written permission of ITT Cannon.  | page 1/1<br>revision 377.3, Jul 16 |