



Excellent Integrated System Limited

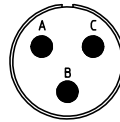
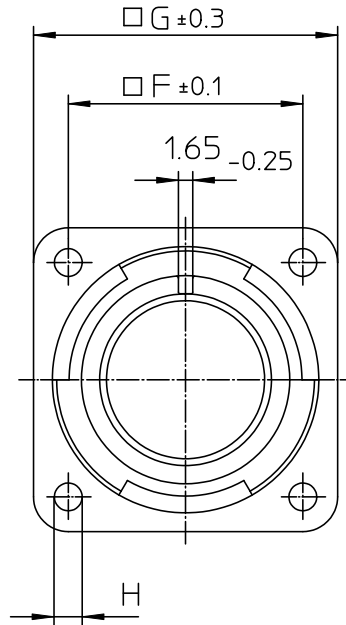
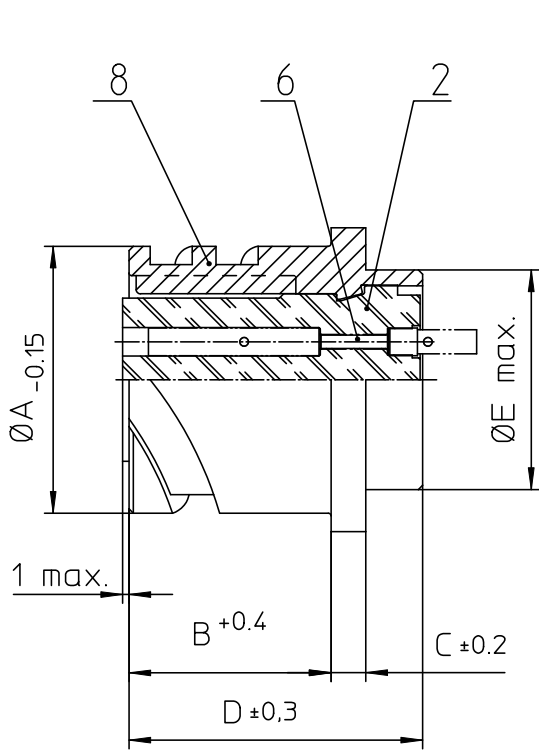
Stocking Distributor

Click to view price, real time Inventory, Delivery & Lifecycle Information:

[ITT Cannon, LLC](#)
[CA3102E10SL-3SBF80A176](#)

For any questions, you can email us directly:


sales@integrated-circuit.com



NO.	MASSE / DIMENSION
A	18.2
B	14.2
C	2.8
D	24.7
E	16.2
F	18.2
G	25.4
H	3.2

NO.	BESCHREIBUNG / DESCRIPTION
2	ISOLIERKÖRPER BUCHSE / INSULATOR SOCKET
6	KONTAKTBUCHSE / CONTACT SOCKET
8	DOSENGEHÄUSE / SHELL

Note: Due to an automatic nomenclature system, numbers generated may not be sequential.
Specification and Dimensions subject to change Drawings illustrate normal insulator positioning
Material Specification:
Shell Material: Aluminium alloy
Shell Plating: Olive drab chromate over cadmium (conductive)
Insulator Material: CR-Elastomere
Contact Material: Copper alloy
Contact Plating: Gold 0.5 µm

all dimensions are in mm Dimensions without tolerance indications are general tolerances in acc. with DIN7168m	drawing for CUSTOMER
 Engineered for life ITT CANNON GROUP 31-37366-10000 Germany	description CA3102E10SL-3S-B-F80-A176 Box mounting receptacle
AWG Crimp / Socket / Layout: 10SL-3	page 1/1 revision 786 4. Jul 16
© All rights reserved. Reproduction or use in any form without the written authorization of ITT Cannon	