



Excellent Integrated System Limited

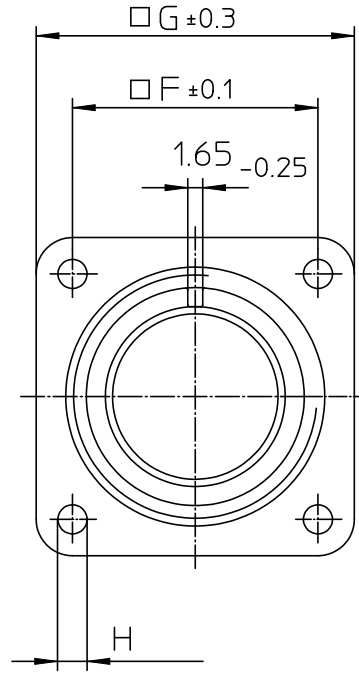
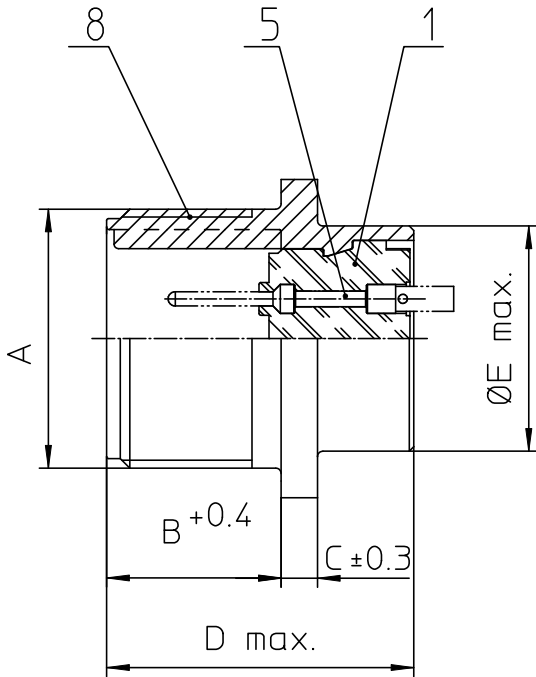
Stocking Distributor

Click to view price, real time Inventory, Delivery & Lifecycle Information:

[ITT Cannon, LLC](#)
[CA3102E18-9P](#)

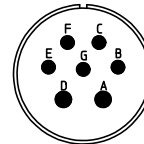
For any questions, you can email us directly:

sales@integrated-circuit.com



NO.	MASSE / DIMENSION
A	1 1/8-18NEF-2A
B	19
C	4
D	34.2
E	25.4
F	27
G	35
H	3.1

NO.	BESCHREIBUNG / DESCRIPTION
1	ISOLIERKÖRPER STIFT / INSULATOR PIN
5	KONTAKTSTIFT/ CONTACT PIN
8	DOSENGEHÄUSE / SHELL



<p>Note: Due to an automatic nomenclature system, numbers generated may not be sequential. Specification and Dimensions subject to change Drawings illustrate normal insulator positioning</p>	
<p>Material Specification:</p>	
Shell Material:	Aluminium alloy
Shell Plating:	Olive drab chromate coating over cadmium plating
Insulator Material:	Neoprene
Contact Material:	Copper alloy
Contact Plating:	Hard silver

<p>all dimensions are in mm Dimensions without tolerance indications are general tolerances in acc. with DIN7168m</p>		<p>drawing for CUSTOMER</p>
<p>ITT Engineered for life ITT CANNON GERMANY D-71434 Weinstadt-Geminga</p>		<p>description CA3102E18-9P Box mounting receptacle</p>
<p>© All rights reserved. Reproduction or issue to third in any form without written authorization of ITT Cannon</p>		<p>Solder Cup / Pin / Layout: 18-9</p>
<p>page 1/1</p>		<p>revision 377 3. Jul 16</p>