



Excellent Integrated System Limited

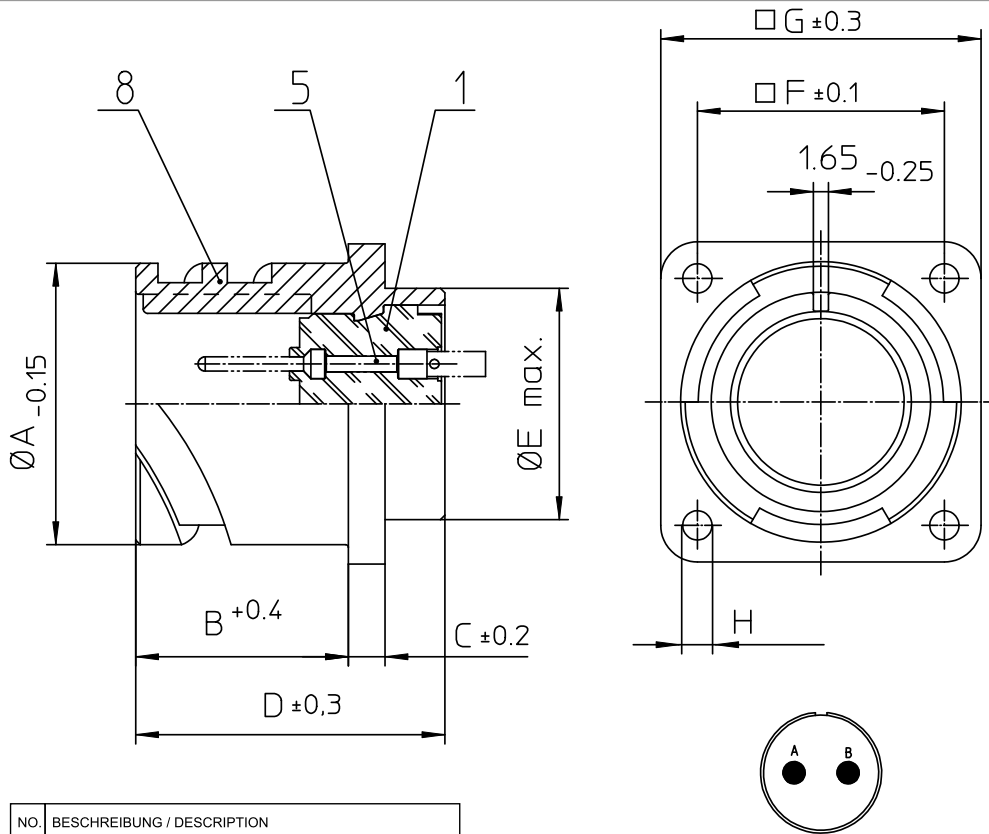
Stocking Distributor

Click to view price, real time Inventory, Delivery & Lifecycle Information:

[ITT Cannon, LLC](#)
[CA3102E10SL-4PB05](#)

For any questions, you can email us directly:


sales@integrated-circuit.com



NO.	MASSE / DIMENSION
A	18.2
B	18.2
C	2.8
D	24.7
E	16.2
F	18.2
G	25.4
H	3.2

NO.	BESCHREIBUNG / DESCRIPTION
1	ISOLIERKÖRPER STIFT / INSULATOR PIN
5	KONTAKTSTIFT/ CONTACT PIN
8	DOSENGEHÄUSE / SHELL

Note: Due to an automatic nomenclature system, numbers generated may not be sequential.
Specification and Dimensions subject to change Drawings illustrate normal insulator positioning
Material Specification:
Shell Material: Aluminium alloy
Shell Plating: Olive drab chromate over cadmium (conductive)
Insulator Material: CR-Elastomere
Contact Material: Copper alloy
Contact Plating: Hard silver

all dimensions are in mm Dimensions without tolerance indications are general tolerances in acc. with DIN7168m	drawing for CUSTOMER
 ITT <i>Engineered for life</i> <small>ITT CANNON GmbH D-73239 Heimenkirch/Germany</small>	description CA3102E10SL-4P-B-05 Box mounting receptacle (rear mount, through holes) Solder Cup / Pin / Layout: 10SL-4
<small>© All rights reserved. Reproduction or issue to third in any form whenever is only permitted with written authorization of ITT Cannon</small>	page 1/1 revision 786 4, Jul 16