



Excellent Integrated System Limited

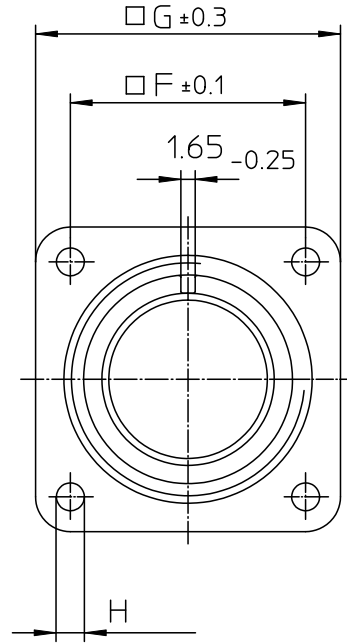
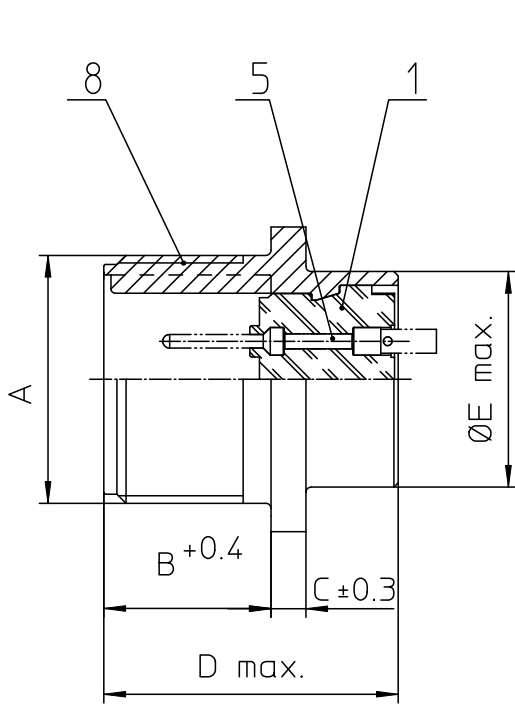
Stocking Distributor

Click to view price, real time Inventory, Delivery & Lifecycle Information:

[ITT Cannon, LLC](#)
[CA3102E22-14PWA206](#)

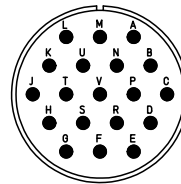
For any questions, you can email us directly:

sales@integrated-circuit.com



NO.	MASSE / DIMENSION
A	13/8-18NEF-2A
B	19
C	4
D	34.2
E	32.2
F	31.8
G	41
H	3.1

NO.	BESCHREIBUNG / DESCRIPTION
1	ISOLIERKÖRPER STIFT / INSULATOR PIN
5	KONTAKTSTIFT / CONTACT PIN
8	DOSENGEHÄUSE / SHELL



Note: Due to an automatic nomenclature system, numbers generated may not be sequential.

Specification and Dimensions subject to change
 Drawings illustrate normal insulator positioning

Material Specification:

Shell Material:	Aluminium alloy
Shell Plating:	Black Zinc Cobalt (conductive)
Insulator Material:	Neoprene
Contact Material:	Copper alloy
Contact Plating:	Hard silver

<p>all dimensions are in mm Dimensions without tolerance indications are general tolerances in acc. with DIN7168m</p> <p>ITT <i>Engineered for life</i> ITT CANNON GERMANY 31-1700 Westerville, OH</p> <p>© All rights reserved. Reproduction or issue in third in any form without the written authorization of ITT Cannon</p>	<p>description: CA3102E22-14PW-A206 Box mounting receptacle</p> <p>Solder Cup / Pin / Layout: 22-14</p>	<p>drawing for: CUSTOMER</p> <p>page: 1/1 revision: 377.3, Jul 16</p>
---	--	--