



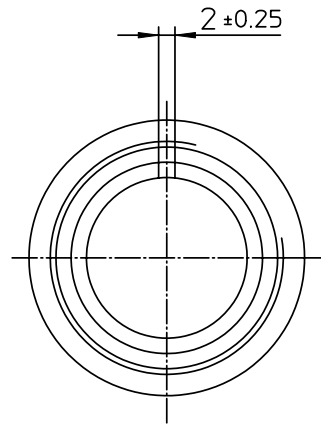
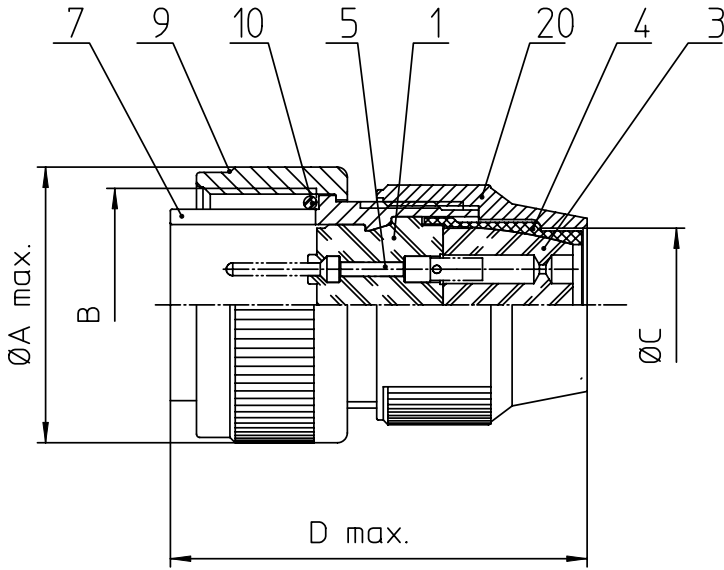
Excellent Integrated System Limited

Stocking Distributor

Click to view price, real time Inventory, Delivery & Lifecycle Information:

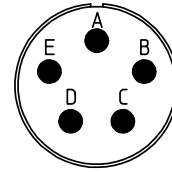
[ITT Cannon, LLC](#)
[CA3106R14S-5PF80](#)

For any questions, you can email us directly:
sales@integrated-circuit.com



NO.	MASSE / DIMENSION
A	28,8
B	7/8-20UNEF-2A
C	12,4
D	41

NO.	BESCHREIBUNG / DESCRIPTION
1	ISOLIERKÖRPER STIFT / INSULATOR PIN
3	DICHTKÖRPER / GROMMET
4	ENDRING / ENDRING
5	KONTAKTSTIFT / CONTACT PIN
7	ZYLINDERGHÄUSE / BARREL
9	ÜBERWURFMUTTER / COUPLING NUT
10	DICHTRING FRONT / FRONT SEALING RING
20	KURZES ENDGEHÄUSE / SHORT ENDBELL



Note: Due to an automatic nomenclature system, numbers generated may not be sequential.
Specification and Dimensions subject to change
Drawings illustrate normal insulator positioning

Material Specification:
Shell Material: Aluminium alloy
Shell Plating: Olive drab chromate coating over cadmium plating
Insulator Material: Neoprene
Contact Material: Copper alloy
Contact Plating: Hard silver

all dimensions are in mm		drawing for
Dimensions without tolerance indications are general tolerances in acc. with DIN7168m		CUSTOMER
 ITT <i>Engineered for life</i> <small>ITT CANNON GROUP 51-21208-00000 Summary</small>	description CA3106R14S-5P-F80 Plug, straight Shortened light-weight endbell without cable clamp AWG Crimp / Pin / Layout: 14S-5	
	© All rights reserved. Reproduction or issue to third in any form whatever is only permitted with written authorization of ITT Cannon	page 1/1 revision 377 3. Jul 16