



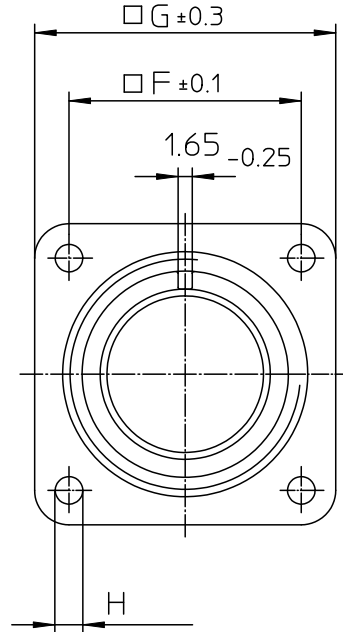
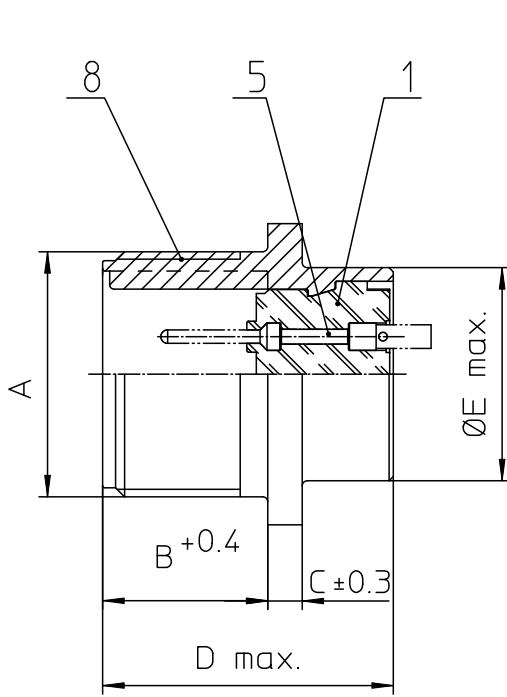
Excellent Integrated System Limited

Stocking Distributor

Click to view price, real time Inventory, Delivery & Lifecycle Information:

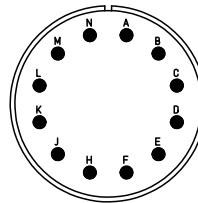
[ITT Cannon, LLC](#)
[CA3102E24-19PF80](#)

For any questions, you can email us directly:
sales@integrated-circuit.com



| NO. | MASSE / DIMENSION |
|-----|-------------------|
| A | 1 1/2-18NEF-2A |
| B | 20.6 |
| C | 4 |
| D | 34.2 |
| E | 35.3 |
| F | 34.9 |
| G | 44.5 |
| H | 3.7 |

| NO. | BESCHREIBUNG / DESCRIPTION |
|-----|-------------------------------------|
| 1 | ISOLIERKÖRPER STIFT / INSULATOR PIN |
| 5 | KONTAKTSTIFT / CONTACT PIN |
| 8 | DOSENGEHÄUSE / SHELL |



Note: Due to an automatic nomenclature system, numbers generated may not be sequential.

Specification and Dimensions subject to change
Drawings illustrate normal insulator positioning

Material Specification:

| | |
|---------------------|--|
| Shell Material: | Aluminum alloy |
| Shell Plating: | Olive drab chromate coating over cadmium plating |
| Insulator Material: | Neoprene |
| Contact Material: | Copper alloy |
| Contact Plating: | Hard silver |

| | | |
|--|-------------|--|
| all dimensions are in mm Dimensions without tolerance indications are general tolerances in acc. with DIN7168m | | drawing for CUSTOMER |
| ITT <i>Engineered for life</i> <small>ITT COMPANY GROUP 5-7134 Wunstorf/Germany</small> | description | CA3102E24-19P-F80 Box mounting receptacle |
| | | AWG Crimp / Pin / Layout: 24-19 |
| <small>© All rights reserved. Reproduction or reuse is not permitted in any form without the prior written authorization of ITT Cannon</small> | | page 1/1 revision 377.3, Jul 16 |