



Excellent Integrated System Limited

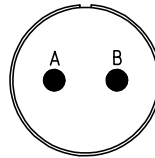
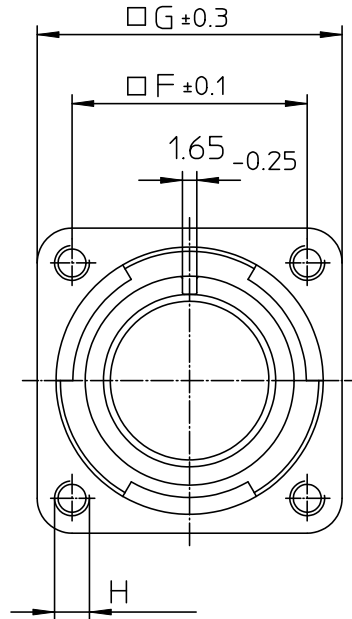
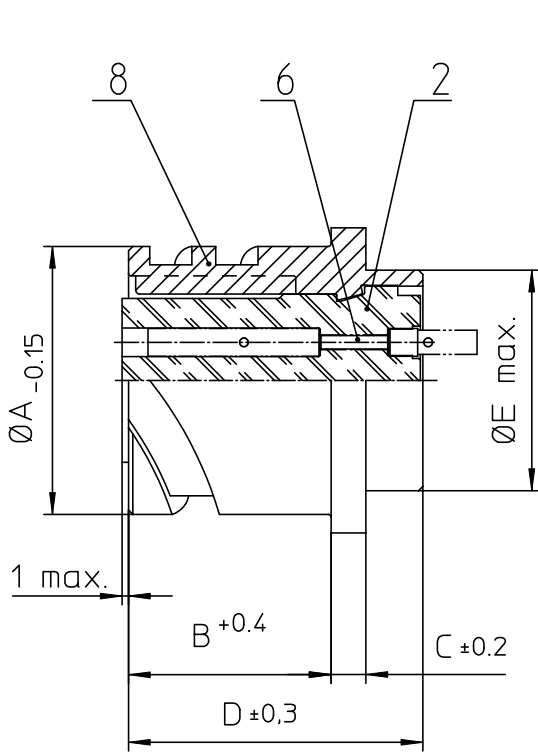
Stocking Distributor

Click to view price, real time Inventory, Delivery & Lifecycle Information:

[ITT Cannon, LLC](#)
[CA3102E14S-9SB109F0](#)

For any questions, you can email us directly:

sales@integrated-circuit.com



NO.	MASSE / DIMENSION
A	24.6
B	18.2
C	3.2
D	24.7
E	19.2
F	23
G	30
H	M4

NO.	BESCHREIBUNG / DESCRIPTION
2	ISOLIERKÖRPER BUCHSE / INSULATOR SOCKET
6	KONTAKTBUCHSE / CONTACT SOCKET
8	DOSENGEHÄUSE / SHELL

Note: Due to an automatic nomenclature system, numbers generated may not be sequential.
Specification and Dimensions subject to change
Drawings illustrate normal insulator positioning

Material Specification:	
Shell Material:	Aluminium alloy
Shell Plating:	Olive drab chromate over cadmium (conductive)
Insulator Material:	CR-Elastomere
Contact Material:	Copper alloy
Contact Plating:	Hard silver

all dimensions are in mm Dimensions without tolerance indications are general tolerances in acc. with DIN 7168m		drawing for CUSTOMER				
<p>ITT Engineered for life ITT CANNON GMBH D-71364 Weinstadt/Germany</p>	description	CA3102E14S-9S-B-109-F0 Box mounting receptacle (rear mount, threaded holes)				
		AWG Crimp / Socket / Layout: 14S-9				
<p>© All rights reserved. Reproduction or issue in any form without the prior written authorization of ITT Cannon</p>		<table border="1"> <tr> <td>page</td> <td>revision</td> </tr> <tr> <td>1/1</td> <td>786 4, Jul 16</td> </tr> </table>	page	revision	1/1	786 4, Jul 16
page	revision					
1/1	786 4, Jul 16					