



## **Excellent Integrated System Limited**

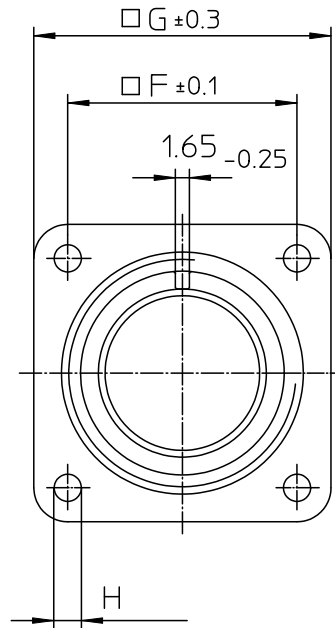
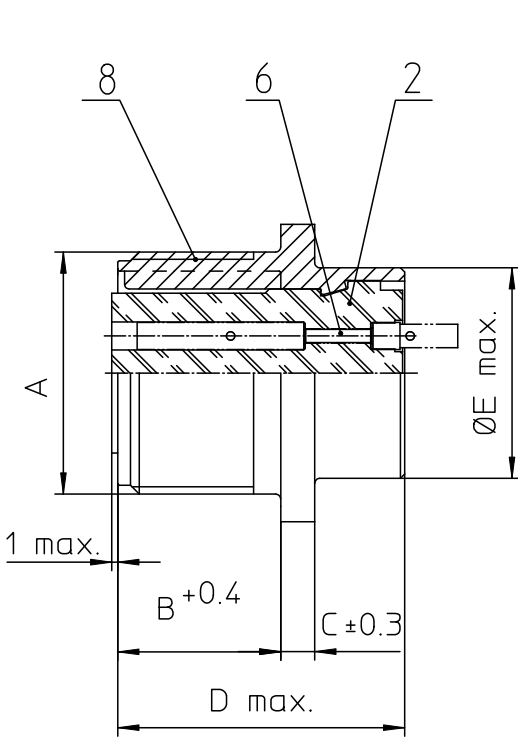
Stocking Distributor

Click to view price, real time Inventory, Delivery & Lifecycle Information:

[ITT Cannon, LLC](#)  
[CA3102E20-3S](#)

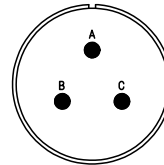
For any questions, you can email us directly:

[sales@integrated-circuit.com](mailto:sales@integrated-circuit.com)




| NO. | MASSE / DIMENSION |
|-----|-------------------|
| A   | 1 1/4-18NEF-2A    |
| B   | 19                |
| C   | 4                 |
| D   | 34.2              |
| E   | 29                |
| F   | 29.4              |
| G   | 38                |
| H   | 3.1               |

| NO. | BESCHREIBUNG / DESCRIPTION              |
|-----|---|
| 2   | ISOLIERKÖRPER BUCHSE / INSULATOR SOCKET |
| 6   | KONTAKTBUCHSE / CONTACT SOCKET          |
| 8   | DOSENGEHÄUSE / SHELL                    |



|  |
|--|
| Note: Due to an automatic nomenclature system, numbers generated may not be sequential.            |
| Specification and Dimensions subject to change<br>Drawings illustrate normal insulator positioning |
| <b>Material Specification:</b>   |
| Shell Material: Aluminium alloy  |
| Shell Plating: Olive drab chromate coating over cadmium plating                                    |
| Insulator Material: Neoprene   |
| Contact Material: Copper alloy   |
| Contact Plating: Hard silver   |

|  |  |
|--|--|
| <b>all dimensions are in mm</b><br>Dimensions without tolerance indications are general tolerances in acc. with DIN7180m   | drawing for<br><b>CUSTOMER</b>   |
| <br><b>ITT</b><br>Engineered for life<br>ITT Cannon GmbH<br>D-71334 Weinstadt/Germany | description<br>CA3102E20-3S<br>Box mounting receptacle<br>Solder Cup / Socket / Layout: 20-3 |
| © All rights reserved. Reproduction or use in any form without the written authorization of ITT Cannon   | page 1/1<br>revision 377.3 Jul 16  |