



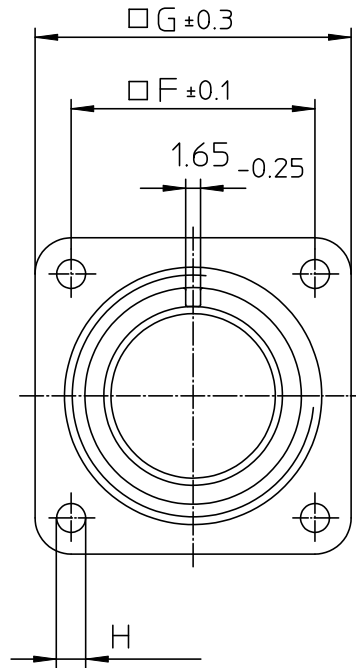
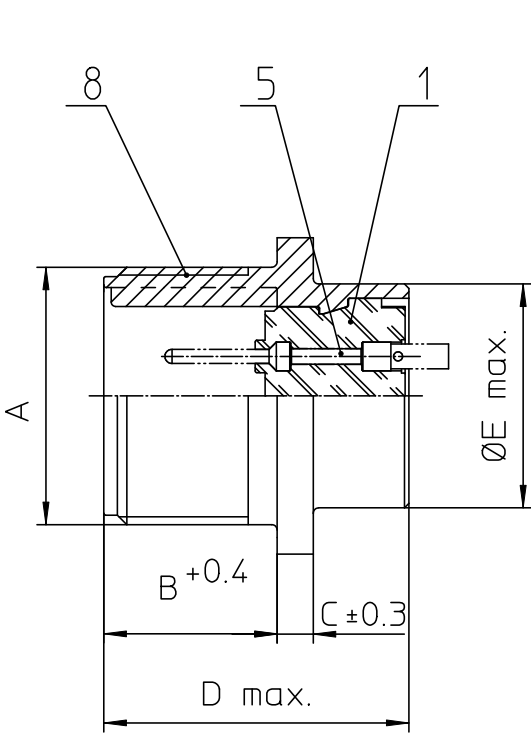
Excellent Integrated System Limited

Stocking Distributor

Click to view price, real time Inventory, Delivery & Lifecycle Information:

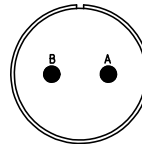
[ITT Cannon, LLC](#)
[CA3102E18-3PF80](#)

For any questions, you can email us directly:
sales@integrated-circuit.com



NO.	MASSE / DIMENSION
A	1 1/8-18NEF-2A
B	19
C	4
D	34.2
E	25.4
F	27
G	35
H	3.1

NO.	BESCHREIBUNG / DESCRIPTION
1	ISOLIERKÖRPER STIFT / INSULATOR PIN
5	KONTAKTSTIFT / CONTACT PIN
8	DOSENGEHÄUSE / SHELL



Note: Due to an automatic nomenclature system, numbers generated may not be sequential.
Specification and Dimensions subject to change
Drawings illustrate normal insulator positioning

Material Specification:	
Shell Material:	Aluminium alloy
Shell Plating:	Olive drab chromate coating over cadmium plating
Insulator Material:	Neoprene
Contact Material:	Copper alloy
Contact Plating:	Hard silver

all dimensions are in mm Dimensions without tolerance indications are general tolerances in acc. with DIN7168m		drawing for CUSTOMER				
 ITT <i>Engineered for life</i> <small>ITT CANNON GERMANY D-71848 Wernau/Germany</small>	description	CA3102E18-3P-F80 Box mounting receptacle				
		AWG Crimp / Pin / Layout: 18-3				
<small>© All rights reserved. Reproduction or use in any form without written authorization of ITT Cannon</small>		<table border="1"> <tr> <td>page</td> <td>revision</td> </tr> <tr> <td>1/1</td> <td>377 3. Jul 16</td> </tr> </table>	page	revision	1/1	377 3. Jul 16
page	revision					
1/1	377 3. Jul 16					