



Excellent Integrated System Limited

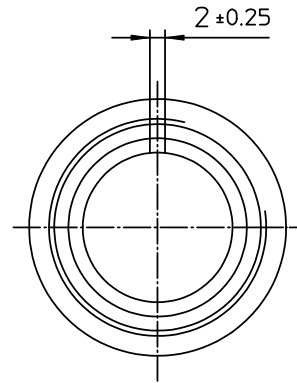
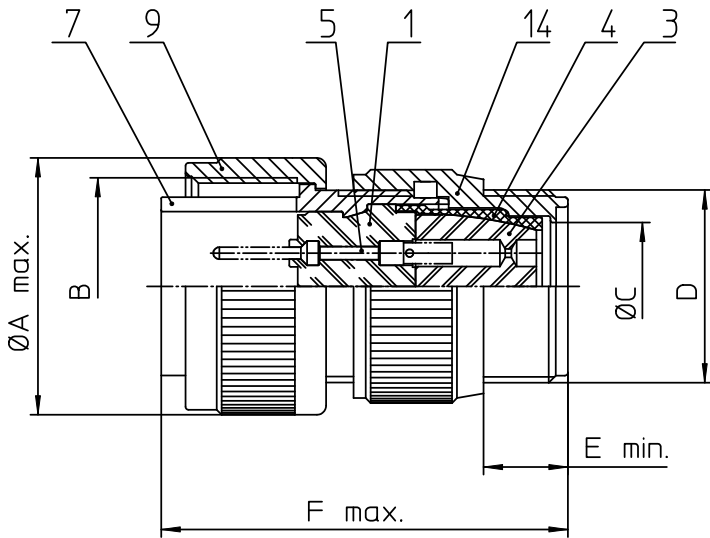
Stocking Distributor

Click to view price, real time Inventory, Delivery & Lifecycle Information:

[ITT Cannon, LLC](#)
[CA3106F16S-4P](#)

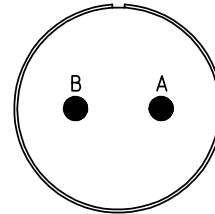
For any questions, you can email us directly:

sales@integrated-circuit.com




NO.	MASSE / DIMENSION
A	31.8
B	1-20UNEF-2B
C	14.3
D	7/8-20UNEF-2A
E	9.5
F	45

NO.	BESCHREIBUNG / DESCRIPTION
1	ISOLIERKÖRPER STIFT / INSULATOR PIN
3	DICHTKÖRPER / GROMMET
4	ENDRING / ENDRING
5	KONTAKTSTIFT / CONTACT PIN
7	ZYLINDERGHÄUSE / BARREL
9	ÜBERWURFMUTTER / COUPLING NUT
14	F-ENDGEHÄUSE / F-ENDBELL



Note: Due to an automatic nomenclature system, numbers generated may not be sequential.
 Specification and Dimensions subject to change
 Drawings illustrate normal insulator positioning

Material Specification:	
Shell Material:	Aluminium alloy
Shell Plating:	Olive drab chromate coating over cadmium plating
Insulator Material:	Neoprene
Contact Material:	Copper alloy
Contact Plating:	Hard silver

all dimensions are in mm		Dimensions without tolerance indications are general tolerances in acc. with DIN7168m	drawing for
 ITT Engineered for life <small>ITT CANNON GERMANY 61-7584 Wiesbaden, Germany</small>	description	CA3106F16S-4P	CUSTOMER
	Plug, straight	Endbell for flex tube	
Solder Cup / Pin / Layout: 16S-4		page	revision
<small>© All rights reserved. Reproduction or issue in third in any form whatever is only permitted with written authorization of ITT Cannon</small>		1/1	377.3, Jul 16