



Distributor of ITT Cannon, LLC: Excellent Integrated System Limited
Datasheet of CA3106R10SL-4SF80 - CONN PLUG 2POS INLINE W/SKTS
Contact us: sales@integrated-circuit.com Website: www.integrated-circuit.com

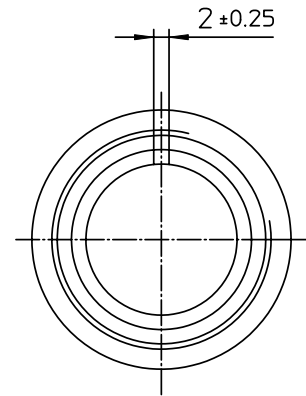
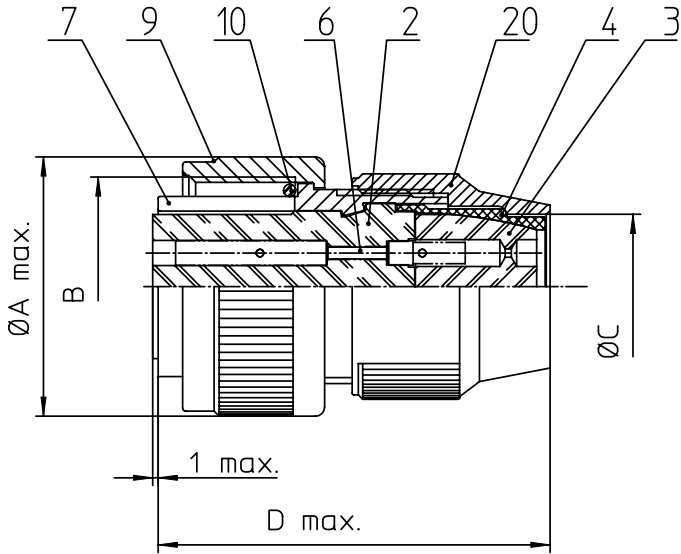
Excellent Integrated System Limited

Stocking Distributor

Click to view price, real time Inventory, Delivery & Lifecycle Information:

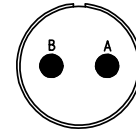
[ITT Cannon, LLC](#)
[CA3106R10SL-4SF80](#)

For any questions, you can email us directly:
sales@integrated-circuit.com



NO.	MASSE / DIMENSION
A	24,1
B	5/8-24NEF-2A
C	9,6
D	41

NO.	BESCHREIBUNG / DESCRIPTION
2	ISOLIERKÖRPER BUCHSE / INSULATOR SOCKET
3	DICHTKÖRPER / GROMMET
4	ENDRING / ENDRING
6	KONTAKTBUCHSE / CONTACT SOCKET
7	ZYLINDERGHÄUSE / BARREL
9	ÜBERWURFMUTTER / COUPLING NUT
10	DICHTRING FRONT / FRONT SEALING RING
20	KURZES ENDGEHÄUSE / SHORT ENDBELL



Note: Due to an automatic nomenclature system, numbers generated may not be sequential.

Specification and Dimensions subject to change
Drawings illustrate normal insulator positioning

Material Specification:

Shell Material: Aluminium alloy
Shell Plating: Olive drab chromate coating over cadmium plating
Insulator Material: Neoprene
Contact Material: Copper alloy
Contact Plating: Hard silver

all dimensions are in mm

Dimensions without tolerance indications are general tolerances in acc. with DIN7168m

drawing for
CUSTOMER



description CA3106R10SL-4S-F80
Plug, straight
Shortened light-weight endbell without cable clamp
AWG Crimp / Socket / Layout: 10SL-4

© All rights reserved. Reproduction or issue to third in any form
whenever & only permitted with written authorization of ITT Cannon

page 1/1 revision 377 3. Jul 16