



## **Excellent Integrated System Limited**

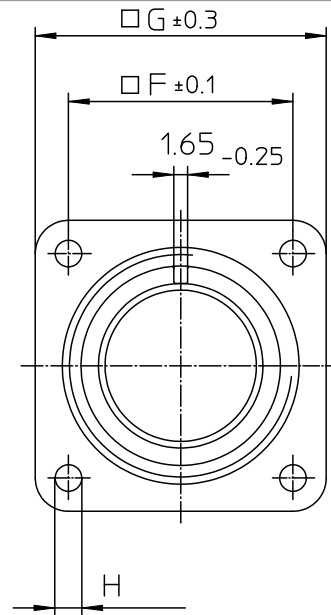
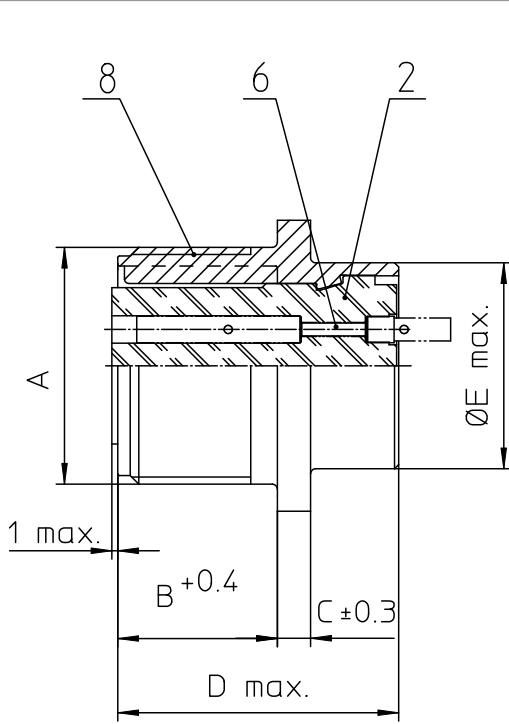
Stocking Distributor

Click to view price, real time Inventory, Delivery & Lifecycle Information:

[ITT Cannon, LLC](#)  
[CA3102E16-12SF80](#)

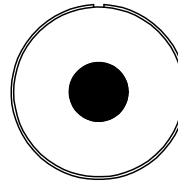
For any questions, you can email us directly:

[sales@integrated-circuit.com](mailto:sales@integrated-circuit.com)



NO.	MASSE / DIMENSION
A	1-20UNEF-2A
B	19
C	3.2
D	34.2
E	22.2
F	24.6
G	32.5
H	3.1

NO.	BESCHREIBUNG / DESCRIPTION
2	ISOLIERKÖRPER BUCHSE / INSULATOR SOCKET
6	KONTAKTBUCHSE / CONTACT SOCKET
8	DOSENGEHÄUSE / SHELL



<p>Note: Due to an automatic nomenclature system, numbers generated may not be sequential.</p> <p>Specification and Dimensions subject to change</p> <p>Drawings illustrate normal insulator positioning</p>	
<p>Material Specification:</p>	
Shell Material:	Aluminium alloy
Shell Plating:	Olive drab chromate coating over cadmium plating
Insulator Material:	Neoprene
Contact Material:	Copper alloy
Contact Plating:	Hard silver

<p>all dimensions are in mm</p> <p>Dimensions without tolerance indications are general tolerances in acc. with DIN7168m</p>	<p>drawing for</p> <p>CUSTOMER</p>
<p><b>ITT</b></p> <p>Engineered for life</p> <p>ITT Cannon GmbH D-71334 Weinstadt/Germany</p>	<p>description CA3102E16-12S-F80 Box mounting receptacle</p> <p>AWG Crimp / Socket / Layout: 16-12</p>
<p>© All rights reserved. Reproduction or use in any form without the written authorization of ITT Cannon.</p>	<p>page 1/1</p> <p>revision 3773_Jul16</p>