



## **Excellent Integrated System Limited**

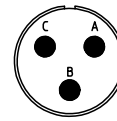
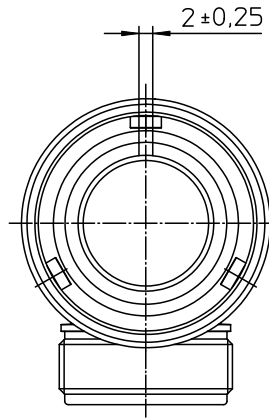
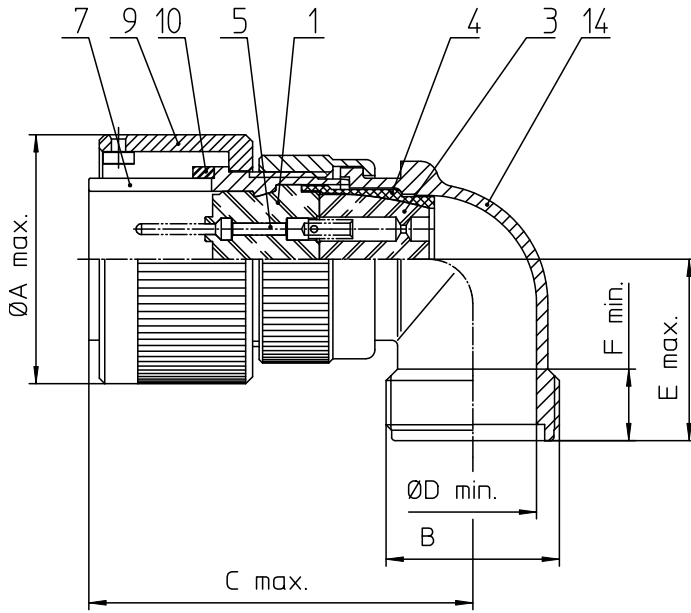
Stocking Distributor

Click to view price, real time Inventory, Delivery & Lifecycle Information:

[ITT Cannon, LLC](#)  
[CA3108F10SL-3PBF80A176](#)

For any questions, you can email us directly:

[sales@integrated-circuit.com](mailto:sales@integrated-circuit.com)



NO.	MASSE / DIMENSION
A	22.8
B	5/8-24UNEF-2A
C	45
D	9.5
E	22
F	9.4

NO.	BESCHREIBUNG / DESCRIPTION
1	ISOLIERKÖRPER STIFT / INSULATOR PIN
3	DICHTKÖRPER / GROMMET
4	ENDRING / ENDRING
5	KONTAKTSTIFT / CONTACT PIN
7	ZYLINDERGHÄUSE / BARREL
9	ÜBERWURFMUTTER / COUPLING NUT
10	DICHTRING FRONT / FRONT SEALING RING
14	F-ENDGEHÄUSE / F-ENDBELL

Note: Due to an automatic nomenclature system, numbers generated may not be sequential. Specification and Dimensions subject to change Drawings illustrate normal insulator positioning	
<b>Material Specification:</b> Shell Material: Aluminium alloy Shell Plating: Olive drab chromate over cadmium (conductive) Insulator Material: CR-Elastomere Contact Material: Copper alloy Contact Plating: Gold 0,5 µm	

<b>all dimensions are in mm</b> Dimensions without tolerance indications are general tolerances in acc. with DIN7180m	drawing for <b>CUSTOMER</b>
 ITT Engineered for life ITT CANON CORP. 5-71385 Wiesbaden/Germany	description <b>CA3108F10SL-3P-B-F80-A176</b> Plug, 90° Endbell for flex tube AWG Crimp / Pin / Layout: 10SL-3
© All rights reserved. Reproduction or use in any form without written authorization of ITT Cannon	page 1/1 revision 796 4, Jul 16