



Excellent Integrated System Limited

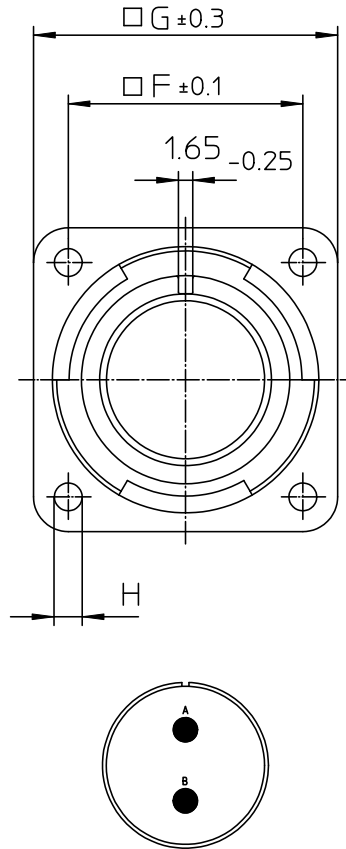
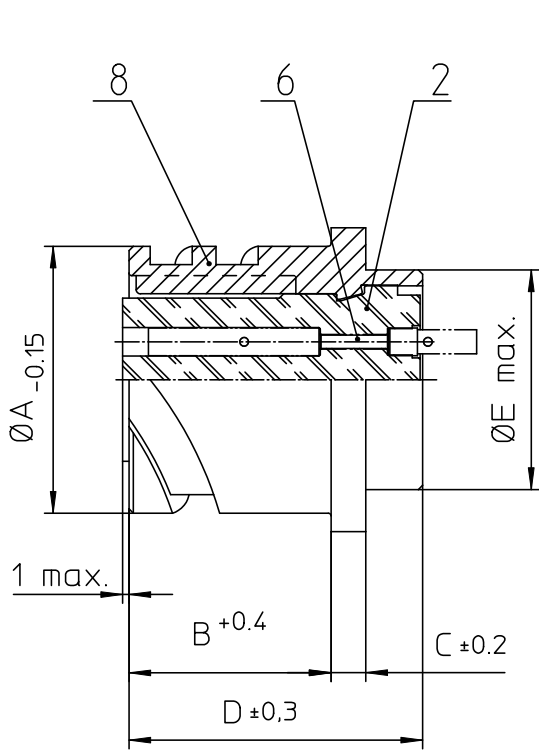
Stocking Distributor

Click to view price, real time Inventory, Delivery & Lifecycle Information:

[ITT Cannon, LLC](#)
[CA3102E20-23SBF80-05](#)

For any questions, you can email us directly:

sales@integrated-circuit.com



| NO. | MASSE / DIMENSION |
|-----|-------------------|
| A | 34.2 |
| B | 23.05 |
| C | 4 |
| D | 33.8 |
| E | 29 |
| F | 29.4 |
| G | 38 |
| H | 3.2 |

| NO. | BESCHREIBUNG / DESCRIPTION |
|-----|---|
| 2 | ISOLIERKÖRPER BUCHSE / INSULATOR SOCKET |
| 6 | KONTAKTBUCHSE / CONTACT SOCKET |
| 8 | DOSENGEHÄUSE / SHELL |

Note: Due to an automatic nomenclature system, numbers generated may not be sequential.
 Specification and Dimensions subject to change
 Drawings illustrate normal insulator positioning

| Material Specification: | |
|-------------------------|---|
| Shell Material: | Aluminium alloy |
| Shell Plating: | Olive drab chromate over cadmium (conductive) |
| Insulator Material: | CR-Elastomere |
| Contact Material: | Copper alloy |
| Contact Plating: | Hard silver |

all dimensions are in mm
 Dimensions without tolerance indications are general tolerances in acc. with DIN7168m

drawing for
 CUSTOMER



Engineered for life
 ITT CANNON GROUP
 51-71366-1/Rev00 Germany

description CA3102E20-23S-B-F80-05
 Box mounting receptacle (rear mount, through holes)

AWG Crimp / Socket / Layout: 20-23

© All rights reserved. Reproduction or use in any form without written authorization of ITT Cannon

page 1/1 revision 786 4. Jul 16