



## **Excellent Integrated System Limited**

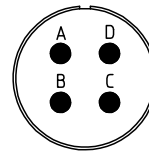
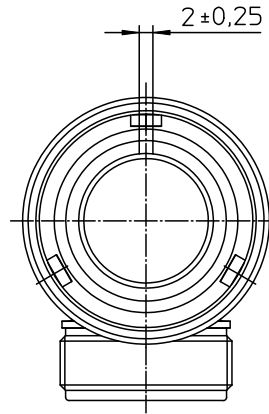
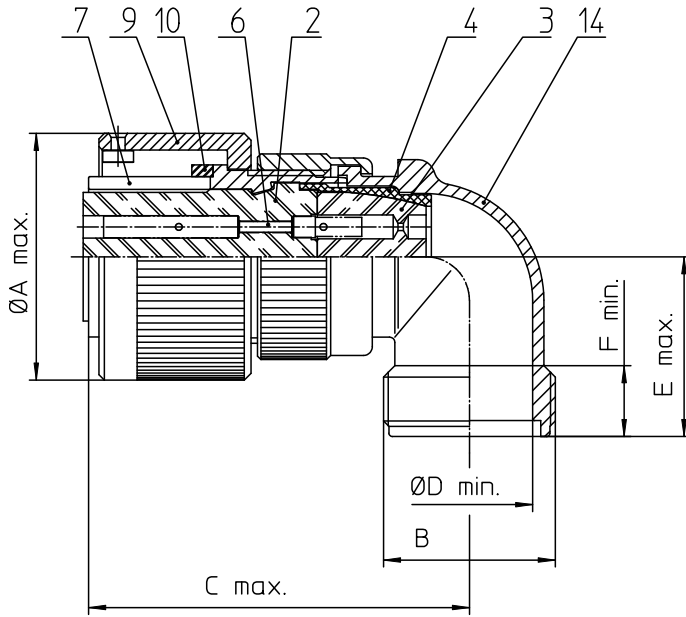
Stocking Distributor

Click to view price, real time Inventory, Delivery & Lifecycle Information:

[ITT Cannon, LLC](#)  
[CA3108F14S-2SBF80A176](#)

For any questions, you can email us directly:

[sales@integrated-circuit.com](mailto:sales@integrated-circuit.com)



NO.	MASSE / DIMENSION
A	29.2
B	3/4-20UNEF-2A
C	47
D	12.2
E	24
F	9.4


NO.	BESCHREIBUNG / DESCRIPTION
2	ISOLIERKÖRPER BUCHSE / INSULATOR SOCKET
3	DICHTKÖRPER / GROMMET
4	ENDRING / ENDRING
6	KONTAKTBUCHSE / CONTACT SOCKET
7	ZYLINDERGHÄUSE / BARREL
9	ÜBERWURFMUTTER / COUPLING NUT
10	DICHTRING FRONT / FRONT SEALING RING
14	F-ENDGEHÄUSE / F-ENDBELL

Note: Due to an automatic nomenclature system, numbers generated may not be sequential.

Specification and Dimensions subject to change  
 Drawings illustrate normal insulator positioning

Material Specification:

Shell Material: Aluminium alloy  
 Shell Plating: Olive drab chromate over cadmium (conductive)  
 Insulator Material: CR-Elastomere  
 Contact Material: Copper alloy  
 Contact Plating: Gold 0,5 µm

all dimensions are in mm <small>Dimensions without tolerance indications are general tolerances in acc. with DIN7180m</small>	drawing for <b>CUSTOMER</b>
 <b>ITT</b> <small>Engineered for life</small> <small>ITT CANADA CORP.</small> <small>5 - 7124 Westside Drive</small>	description CA3108F14S-2S-B-F80-A176 Plug, 90° Endbell for flex tube AWG Crimp / Socket / Layout: 14S-2
<small>© All rights reserved. Reproduction or use in any form without written authorization of ITT Cannon</small>	<small>page 1/1</small> <small>revision 786 4. Jul 16</small>