



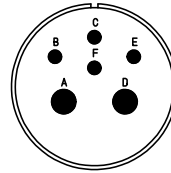
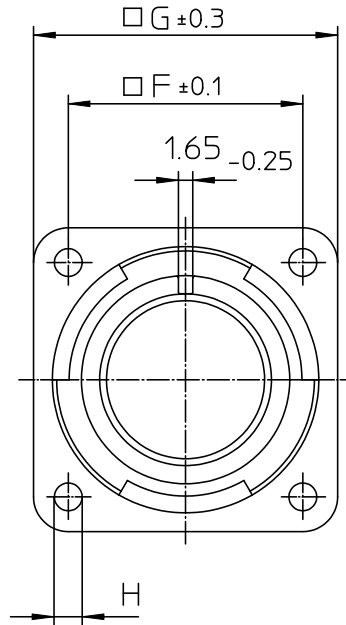
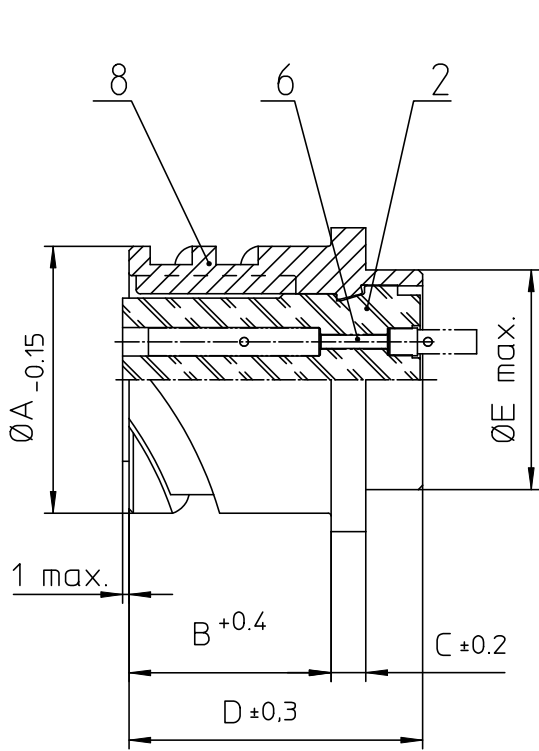
## **Excellent Integrated System Limited**

Stocking Distributor

Click to view price, real time Inventory, Delivery & Lifecycle Information:

[ITT Cannon, LLC](#)  
[CA3102E20-8SBF80-05](#)


For any questions, you can email us directly:  
[sales@integrated-circuit.com](mailto:sales@integrated-circuit.com)



| NO. | MASSE / DIMENSION |
|-----|-------------------|
| A   | 34.2              |
| B   | 23.05             |
| C   | 4                 |
| D   | 33.8              |
| E   | 29                |
| F   | 29.4              |
| G   | 38                |
| H   | 3.2               |

| NO. | BESCHREIBUNG / DESCRIPTION              |
|-----|---|
| 2   | ISOLIERKÖRPER BUCHSE / INSULATOR SOCKET |
| 6   | KONTAKTBUCHSE / CONTACT SOCKET          |
| 8   | DOSENGEHÄUSE / SHELL                    |

|  |
|--|
| Note: Due to an automatic nomenclature system, numbers generated may not be sequential.            |
| Specification and Dimensions subject to change<br>Drawings illustrate normal insulator positioning |
| <b>Material Specification:</b>   |
| Shell Material: Aluminium alloy  |
| Shell Plating: Olive drab chromate over cadmium (conductive)                                       |
| Insulator Material: CR-Elastomere  |
| Contact Material: Copper alloy   |
| Contact Plating: Hard silver   |

|   |                                   |  |
|---|-----------------------------------|--|
| all dimensions are in mm<br>Dimensions without tolerance indications are general tolerances in acc. with DIN7168m   |                                   | drawing for<br>CUSTOMER  |
| <br><b>ITT</b><br>Engineered for life<br><small>ITT CANNON GROUP<br/>         51-71366-1/Rev00 Germany</small> | description                       | CA3102E20-8S-B-F80-05<br>Box mounting receptacle (rear mount, through holes) |
|   | AWG Crimp / Socket / Layout: 20-8 | page 1/1<br>revision 786 4. Jul 16   |
| <small>© All rights reserved. Reproduction or use in any form without written authorization of ITT Cannon</small>   |                                   |  |