



## **Excellent Integrated System Limited**

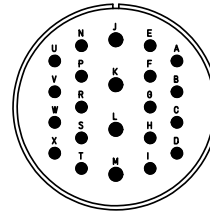
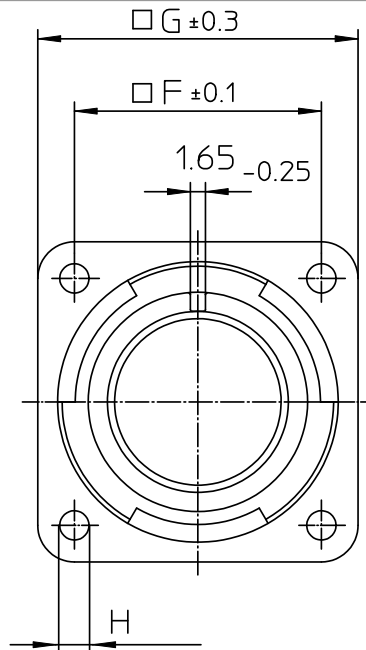
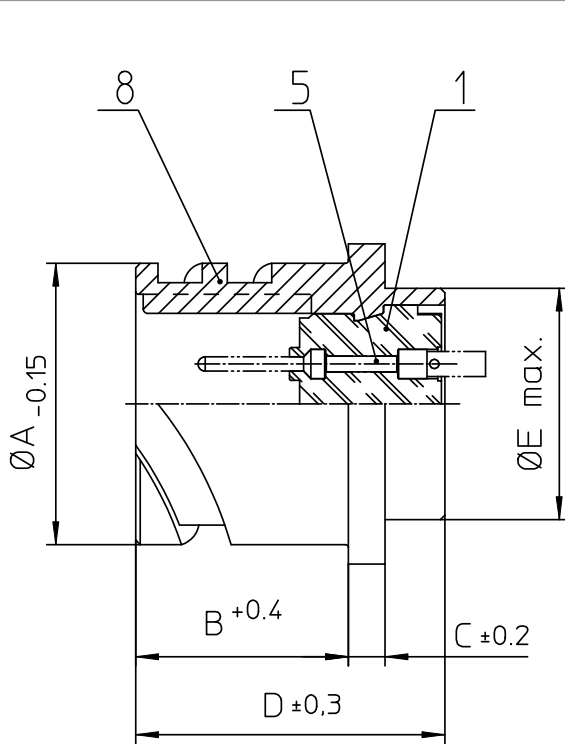
Stocking Distributor

Click to view price, real time Inventory, Delivery & Lifecycle Information:

[ITT Cannon, LLC](#)  
[CA3102E28-11PB](#)

For any questions, you can email us directly:

[sales@integrated-circuit.com](mailto:sales@integrated-circuit.com)



| NO. | MASSE / DIMENSION |
|-----|-------------------|
| A   | 46.7              |
| B   | 20.6              |
| C   | 4                 |
| D   | 33.8              |
| E   | 41.4              |
| F   | 39.7              |
| G   | 50.8              |
| H   | 3.7               |

| NO. | BESCHREIBUNG / DESCRIPTION          |
|-----|-------------------------------------|
| 1   | ISOLIERKÖRPER STIFT / INSULATOR PIN |
| 5   | KONTAKTSTIFT/ CONTACT PIN           |
| 8   | DOSENGEHÄUSE / SHELL                |

Note: Due to an automatic nomenclature system, numbers generated may not be sequential.  
Specification and Dimensions subject to change  
Drawings illustrate normal insulator positioning

| Material Specification: |   |
|-------------------------|---|
| Shell Material:         | Aluminium alloy                               |
| Shell Plating:          | Olive drab chromate over cadmium (conductive) |
| Insulator Material:     | CR-Elastomere                                 |
| Contact Material:       | Copper alloy                                  |
| Contact Plating:        | Hard silver                                   |

all dimensions are in mm

Dimensions without tolerance indications are general tolerances in acc. with DIN7168m

drawing for  
CUSTOMER



description CA3102E28-11P-B  
Box mounting receptacle

Engineered for life  
ITT CANNON GmbH  
D-73239 Heimenkirch/Germany

Solder Cup / Pin / Layout: 28-11

© All rights reserved. Reproduction or issue to third in any form  
whenever is only permitted with written authorization of ITT Cannon

page 1/1  
revision 786 4. Jul 16