



## **Excellent Integrated System Limited**

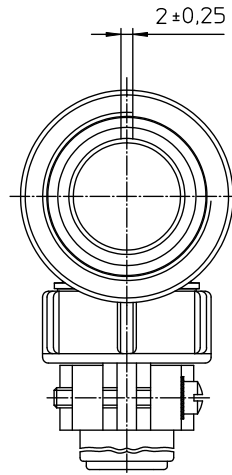
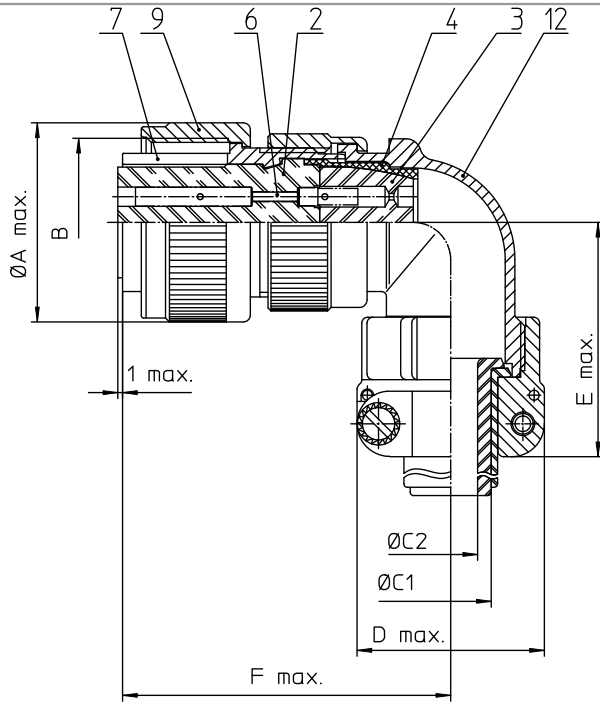
Stocking Distributor

Click to view price, real time Inventory, Delivery & Lifecycle Information:

[ITT Cannon, LLC](#)  
[CA3108E14SA7S](#)

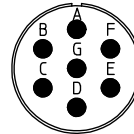
For any questions, you can email us directly:

[sales@integrated-circuit.com](mailto:sales@integrated-circuit.com)



| NO. | MASSE / DIMENSION |
|-----|-------------------|
| A   | 28.8              |
| B   | 7/8-20UNEF-2B     |
| C1  | 9.1               |
| C2  | -                 |
| D   | 27.5              |
| E   | 42                |
| F   | 47                |

| NO. | BESCHREIBUNG / DESCRIPTION              |
|-----|---|
| 2   | ISOLIERKÖRPER BÜCHSE / INSULATOR SOCKET |
| 3   | DICHTKÖRPER / GROMMET                   |
| 4   | ENDRING / ENDRING                       |
| 6   | KONTAKTBÜCHSE / CONTACT SOCKET          |
| 7   | ZYLINDERGHÄUSE / BARREL                 |
| 9   | ÜBERWURFMUTTER / COUPLING NUT           |
| 12  | ENDGEHÄUSE / ENDBELL                    |



|  |  |
|--|--|
| <p>Note: Due to an automatic nomenclature system, numbers generated may not be sequential.</p> <p>Specification and Dimensions subject to change<br/>Drawings illustrate normal insulator positioning</p>  |  |
| <p>Material Specification:</p> <p>Shell Material: Aluminium alloy</p> <p>Shell Plating: Olive drab chromate coating over cadmium plating</p> <p>Insulator Material: Neoprene</p> <p>Contact Material: Copper alloy</p> <p>Contact Plating: Hard silver</p> |  |

|   |  |  |
|---|--|--|
| <p>all dimensions are in mm<br/>Dimensions without tolerance indications are general tolerances in acc. with DIN7150m</p> |  | <p>drawing for<br/>CUSTOMER</p>  |
| <p>ITT<br/>Engineered for life<br/>1770000010000<br/>© 2008 ITT Corporation</p>   | <p>description CA3108E14SA7S<br/>Plug 90°<br/>Endbell with clamp and bushing<br/>Solder Cup / Socket / Layout: 14SA7</p> | <p>© All rights reserved. Reproduction or reuse in any form without the prior written authorization of ITT Cannon</p> <p>page 1/1<br/>revision 377.3, Jul 16</p> |