



Excellent Integrated System Limited

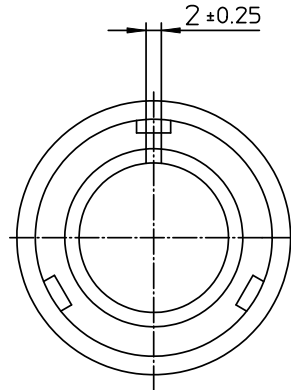
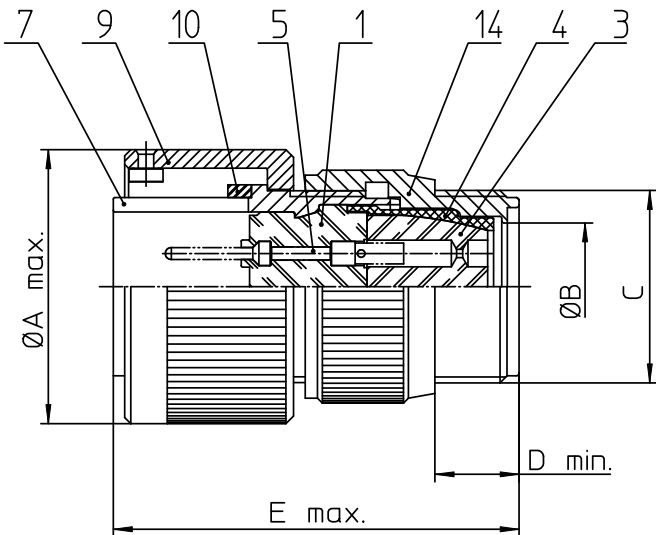
Stocking Distributor

Click to view price, real time Inventory, Delivery & Lifecycle Information:

[ITT Cannon, LLC](#)
[CA3106F16S-8PBF80](#)

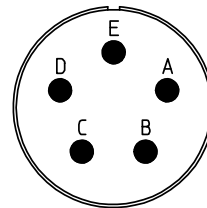
For any questions, you can email us directly:

sales@integrated-circuit.com





NO.	MASSE / DIMENSION
A	32
B	14.3
C	7/8-20UNEF-2A
D	9.5
E	45

NO.	BESCHREIBUNG / DESCRIPTION
1	ISOLIERKÖRPER STIFT / INSULATOR PIN
3	DICHTKÖRPER / GROMMET
4	ENDRING / ENDRING
5	KONTAKTSTIFT / CONTACT PIN
7	ZYLINDERGHÄUSE / BARREL
9	ÜBERWURFMUTTER / COUPLING NUT
10	DICHTRING FRONT / FRONT SEALING RING
14	F-ENDGEHÄUSE / F-ENDBELL



Note: Due to an automatic nomenclature system, numbers generated may not be sequential.
Specification and Dimensions subject to change
Drawings illustrate normal insulator positioning

Material Specification:	
Shell Material:	Aluminium alloy
Shell Plating:	Olive drab chromate over cadmium (conductive)
Insulator Material:	CR-Elastomere
Contact Material:	Copper alloy
Contact Plating:	Hard silver

all dimensions are in mm Dimensions without tolerance indications are general tolerances in acc. with DIN7168m		drawing for CUSTOMER
 ITT Engineered for life <small>ITT CANNON GERMANY D-71364 Heimsheim Germany</small>	description	CA3106F16S-8P-B-F80
		Plug, straight Endbell for flex tube AWG Crimp / Pin / Layout: 16S-8
<small>© All rights reserved. Reproduction or use in third in any form whenever is only permitted with written authorization of ITT Cannon</small>	 page 1/1	revision 786.4, Jul 16