



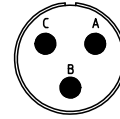
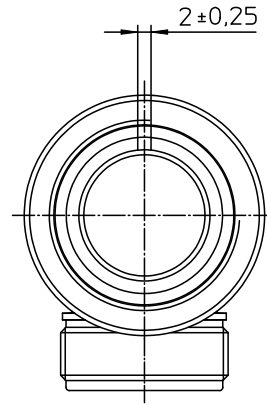
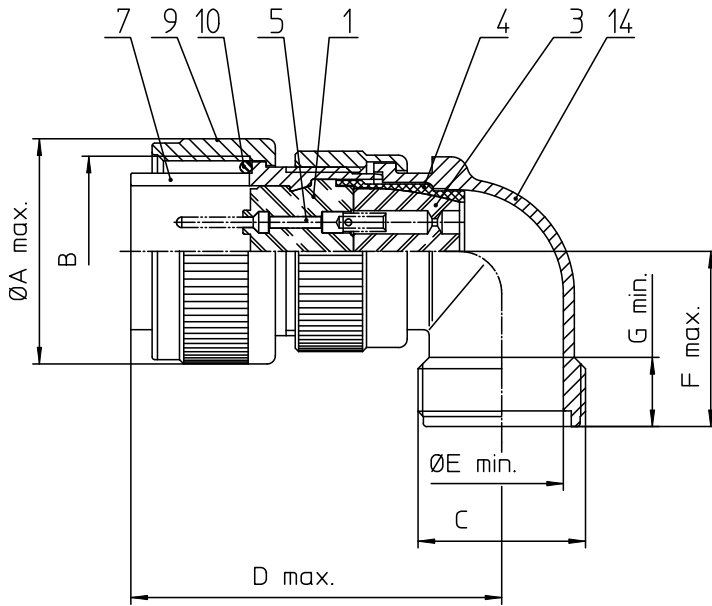
Excellent Integrated System Limited

Stocking Distributor

Click to view price, real time Inventory, Delivery & Lifecycle Information:

[ITT Cannon, LLC](#)
[CA3108R10SL-3PF80](#)

For any questions, you can email us directly:
sales@integrated-circuit.com



NO.	MASSE / DIMENSION
A	24.1
B	5/8-24NEF-2B
C	5/8-24NEF-2A
D	22.7
E	9.6
F	23.0

NO.	BESCHREIBUNG / DESCRIPTION
1	ISOLIERKÖRPER STIFT / INSULATOR PIN
3	DICHTKÖRPER / GROMMET
4	ENDRING / ENDRING
5	KONTAKTSTIFT/ CONTACT PIN
7	ZYLINDERGHÄUSE / BARREL
9	ÜBERWURFMUTTER / COUPLING NUT
10	DICHTRING FRONT / FRONT SEALING RING
12	ENDGEHÄUSE / ENDBELL

Note: Due to an automatic nomenclature system, numbers generated may not be sequential.
Specification and Dimensions subject to change Drawings illustrate normal insulator positioning
<u>Material Specification:</u>
Shell Material: Aluminium alloy
Shell Plating: Olive drab chromate coating over cadmium plating
Insulator Material: Neoprene
Contact Material: Copper alloy
Contact Plating: Hard silver

all dimensions are in mm Dimensions without tolerance indications are general tolerances in acc. with DIN 7168m	drawing for CUSTOMER
 ITT <i>Engineered for life</i> <small>ITT CANNON GERMANY D-71364 Weinstadt/Germany</small>	description CA3108R10SL-3P-F80 Plug 90° Shortened light-weight endbell without cable clamp AWG Crimp / Pin / Layout: 10SL-3
© All rights reserved. Reproduction or issue to third in any form without the prior written authorization of ITT Cannon	page 1/1 revision 377.3, Jul 16