



Excellent Integrated System Limited

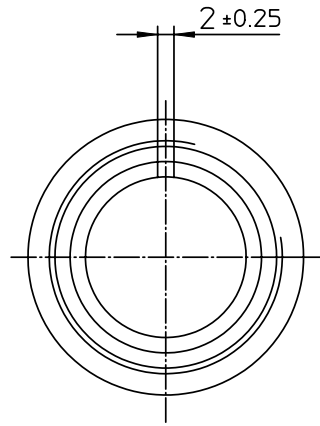
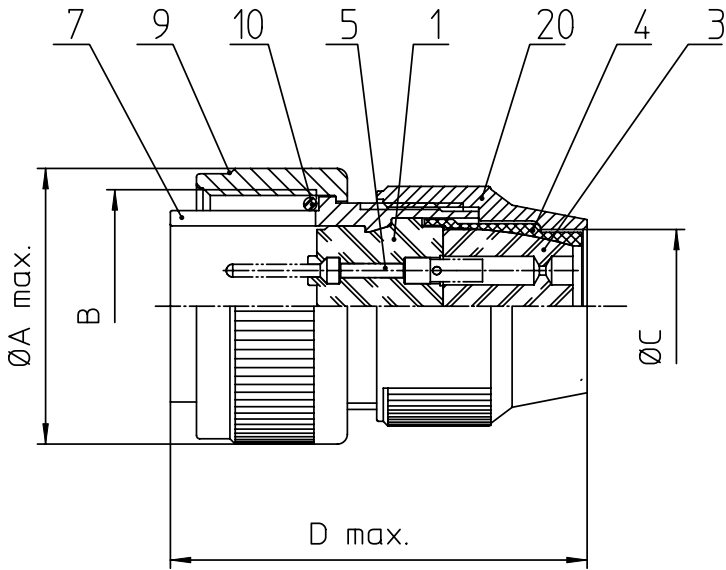
Stocking Distributor

Click to view price, real time Inventory, Delivery & Lifecycle Information:

[ITT Cannon, LLC](#)
[CA3106R24-5PF80](#)

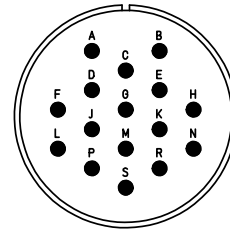
For any questions, you can email us directly:

sales@integrated-circuit.com



| NO. | MASSE / DIMENSION |
|-----|-------------------|
| A | 43,8 |
| B | 1 1/2-18NEF-2A |
| C | 27,6 |
| D | 53 |

| NO. | BESCHREIBUNG / DESCRIPTION |
|-----|--------------------------------------|
| 1 | ISOLIERKÖRPER STIFT / INSULATOR PIN |
| 3 | DICHTKÖRPER / GROMMET |
| 4 | ENDRING / ENDRING |
| 5 | KONTAKTSTIFT/ CONTACT PIN |
| 7 | ZYLINDERGHÄUSE / BARREL |
| 9 | ÜBERWURFMUTTER / COUPLING NUT |
| 10 | DICHTRING FRONT / FRONT SEALING RING |
| 20 | KURZES ENDGEHÄUSE / SHORT ENDBELL |



Note: Due to an automatic nomenclature system, numbers generated may not be sequential.
Specification and Dimensions subject to change
Drawings illustrate normal insulator positioning

Material Specification:

Shell Material: Aluminium alloy
Shell Plating: Olive drab chromate coating over cadmium plating
Insulator Material: Neoprene
Contact Material: Copper alloy
Contact Plating: Hard silver

all dimensions are in mm

Dimensions without tolerance indications are general tolerances in acc. with DIN7168m

drawing for
CUSTOMER



description CA3106R24-5P-F80
Plug, straight
Shortened light-weight endbell without cable clamp
AWG Crimp / Pin / Layout: 24-5

© All rights reserved. Reproduction or issue to third in any form
whenever & only permitted with written authorization of ITT Cannon

page 1/1
revision 377 3. Jul 16