



Excellent Integrated System Limited

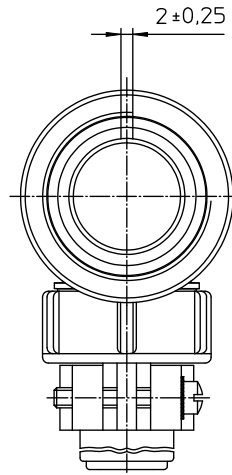
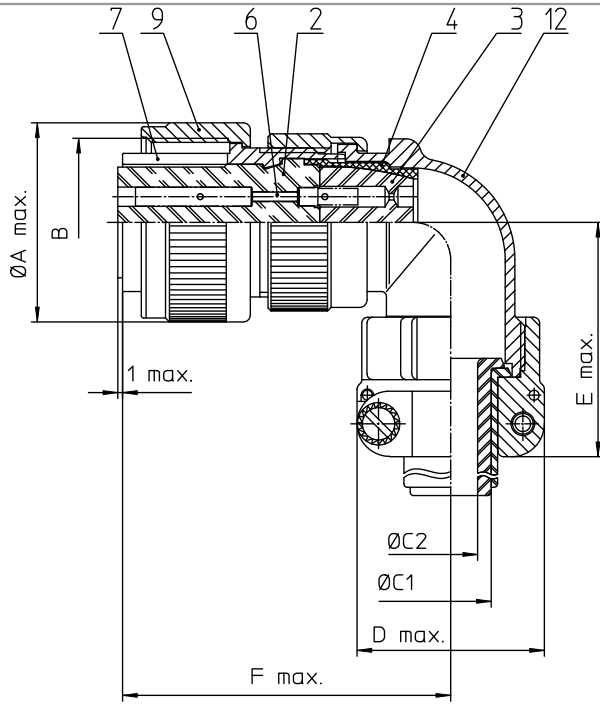
Stocking Distributor

Click to view price, real time Inventory, Delivery & Lifecycle Information:

[ITT Cannon, LLC](#)
[CA3108E10SL-4SF80A176](#)

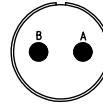
For any questions, you can email us directly:

sales@integrated-circuit.com




NO.	MASSE / DIMENSION
A	24.1
B	5/8-24NEF-2B
C1	6.6
C2	-
D	22.7
E	42
F	45

NO.	BESCHREIBUNG / DESCRIPTION
2	ISOLIERKÖRPER BUCHSE / INSULATOR SOCKET
3	DICHTKÖRPER / GROMMET
4	ENDRING / ENDRING
6	KONTAKTBUCHSE / CONTACT SOCKET
7	ZYLINDERGHÄUSE / BARREL
9	ÜBERWURFMUTTER / COUPLING NUT
12	ENDGEHÄUSE / ENDBELL



Note: Due to an automatic nomenclature system, numbers generated may not be sequential.
Specification and Dimensions subject to change Drawings illustrate normal insulator positioning
Material Specification:
Shell Material: Aluminium alloy
Shell Plating: Olive drab chromate coating over cadmium plating
Insulator Material: Neoprene
Contact Material: Copper alloy
Contact Plating: Gold 0.5 µm/956

all dimensions are in mm Dimensions without tolerance indications are general tolerances in acc. with DIN7150m	drawing for CUSTOMER				
 ITT <i>Engineered for life</i> <small>ITT CONNECTOR GROUP 17108 Woodland Drive Woodland, CA 95694</small>	description CA3108E10SL-4S-F80-A176 Plug 90° Endbell with clamp and bushing AWG Crimp / Socket / Layout: 10SL-4				
<small>© All rights reserved. Reproduction or reuse in any form without the prior written authorization of ITT Cannon</small>	<table border="1"> <tr> <td>page</td> <td>revision</td> </tr> <tr> <td>1/1</td> <td>377.3, Jul 16</td> </tr> </table>	page	revision	1/1	377.3, Jul 16
page	revision				
1/1	377.3, Jul 16				