



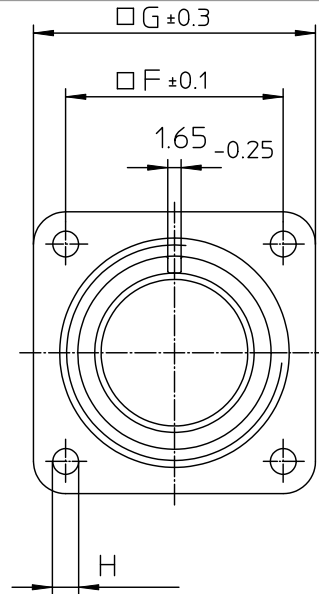
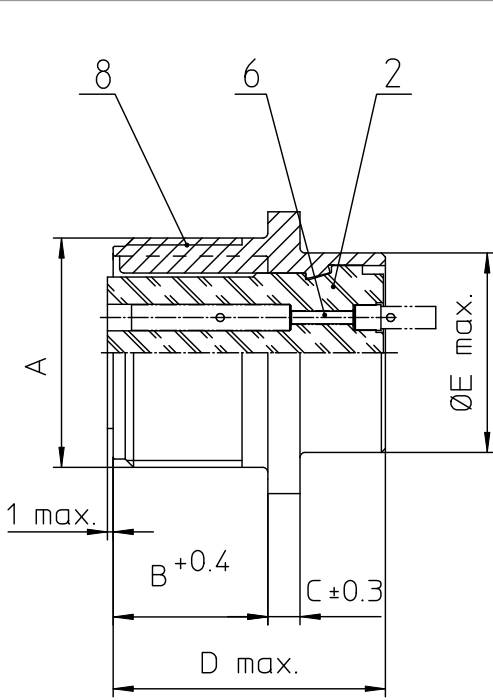
Excellent Integrated System Limited

Stocking Distributor

Click to view price, real time Inventory, Delivery & Lifecycle Information:

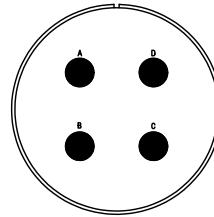
[ITT Cannon, LLC](#)
[CA3102E32-17SF80](#)

For any questions, you can email us directly:
sales@integrated-circuit.com



NO.	MASSE / DIMENSION
A	2-18NS-2A
B	22.2
C	4
D	34.2
E	47.6
F	44.5
G	57
H	4.4

NO.	BESCHREIBUNG / DESCRIPTION
2	ISOLIERKÖRPER BUCHSE / INSULATOR SOCKET
6	KONTAKTBUCHSE / CONTACT SOCKET
8	DOSENGEHÄUSE / SHELL



Note: Due to an automatic nomenclature system, numbers generated may not be sequential. Specifications and Dimensions subject to change. Drawings illustrate normal insulator positioning.	
Material Specification:	
Shell Material:	Aluminium alloy
Shell Plating:	Olive drab chromate coating over cadmium plating
Insulator Material:	Neoprene
Contact Material:	Copper alloy
Contact Plating:	Hard silver

all dimensions are in mm Dimensions without tolerance indications are general tolerances in acc. with DIN7168m		drawing for	CUSTOMER
 ITT Engineered for life ITT CANON GmbH D-7380 Wernau www.ittcannon.com	description	CA3102E32-17S-F80 Box mounting receptacle	
		AWG Crimp / Socket / Layout: 32-17	
© All rights reserved. Reproduction or issue to third in any form without written authorization of ITT Cannon.		page	1/1
		revision	377.3 Jul 16