



Excellent Integrated System Limited

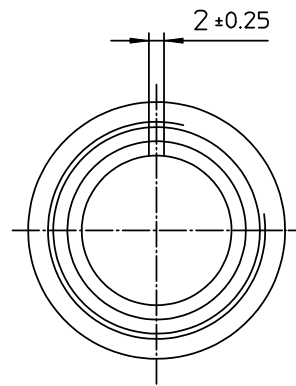
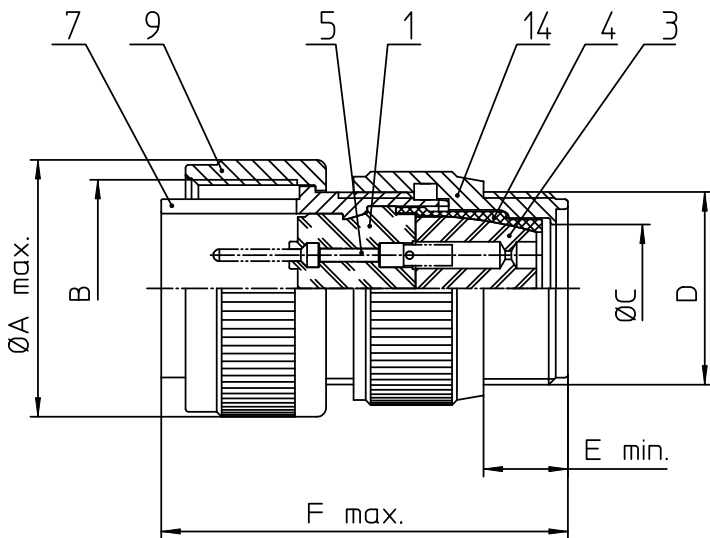
Stocking Distributor

Click to view price, real time Inventory, Delivery & Lifecycle Information:

[ITT Cannon, LLC](#)
[CA3106F22-14PF80](#)

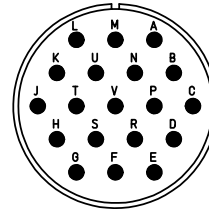
For any questions, you can email us directly:

sales@integrated-circuit.com




NO.	MASSE / DIMENSION
A	40.5
B	1 3/8-18NEF-2B
C	19.8
D	1 3/16-18NEF-2A
E	9.5
F	58

NO.	BESCHREIBUNG / DESCRIPTION
1	ISOLIERKÖRPER STIFT / INSULATOR PIN
3	DICHTKÖRPER / GROMMET
4	ENDRING / ENDRING
5	KONTAKTSTIFT / CONTACT PIN
7	ZYLINDERGHÄUSE / BARREL
9	ÜBERWURFMUTTER / COUPLING NUT
14	F-ENDGEHÄUSE / F-ENDBELL



Note: Due to an automatic nomenclature system, numbers generated may not be sequential.
 Specification and Dimensions subject to change
 Drawings illustrate normal insulator positioning

Material Specification:
Shell Material: Aluminium alloy
Shell Plating: Olive drab chromate coating over cadmium plating
Insulator Material: Neoprene
Contact Material: Copper alloy
Contact Plating: Hard silver

all dimensions are in mm	Dimensions without tolerance indications are general tolerances in acc. with DIN7168m	drawing for
 description: CA3106F22-14P-F80 Plug, straight Endbell for flex tube AWG Crimp / Pin / Layout: 22-14		CUSTOMER
© All rights reserved. Reproduction or issue in third in any form whatever is only permitted with written authorization of ITT Cannon		page 1/1 revision 377 3. Jul 16